

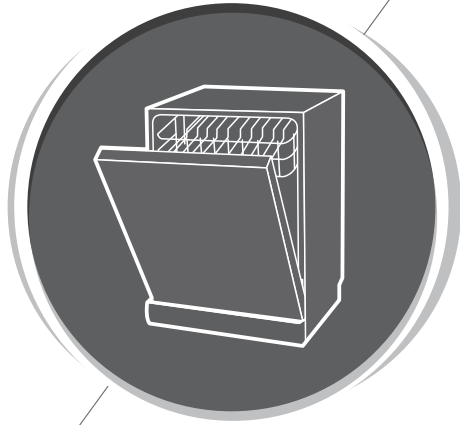
# *Brandt*



INSTRUCTION MANUAL EN

**Dishwasher**

**DWJ137DS**



# **Dishwasher**

## Instruction Manual

### **PART I : Generic Version**

# CONTENTS

01	3	<b>SAFETY INFORMATION</b>
02	8	<b>PRODUCT OVERVIEW</b>
03	9	<b>USING YOUR DISHWASHER</b>
	9	Loading The Salt Into The Softener
	11	Basket Used Tips
04	13	<b>MAINTENANCE AND CLEANING</b>
	13	External Care
	13	Internal Care
	16	Caring For The Dishwasher
05	17	<b>INSTALLATION INSTRUCTION</b>
	17	About Power Connection
	18	Water Supply And Drain
	19	Connection Of Drain Hoses
	20	Position The Appliance
	20	Free Standing Installation
06	21	Built-In Installation(for the integrated model)
	25	<b>TROUBLESHOOTING TIPS</b>
07	30	<b>LOADING THE BASKETS</b>

## **NOTE:**

- Reviewing the section on troubleshooting Tips will help you solve some common problems by yourself.
- If you cannot solve the problems by yourself, please ask for help from a professional technician.
- The manufacturer, following a policy of constant development and updating of the product, may make modifications without giving prior notice.
- If lost or out-of-date, you can receive a new user manual from the manufacturer or responsible vendor.

# SAFETY INFORMATION

## **⚠ WARNING**

**When using your dishwasher, follow the precautions listed below:**

- Installation and repair can only be carried out by a qualified technician
- This appliance is intended to be used in household and similar applications such as:
  - staff kitchen areas in shops, offices and other working environments;
  - farm houses;
  - by clients in hotels, motels and other residential type environments;
  - bed and breakfast type environments.
- This appliance can be used by children aged from 8 years and above and persons with reduced physical, sensory or mental capabilities or lack of experience and knowledge if they have been given supervision or instruction concerning use of the appliance in a safe way and understand the hazards involved.
- Children shall not play with the appliance. Cleaning and user maintenance shall not be done by children without supervision. (For EN60335-1)  
This appliance is not intended for use by persons (including children ) with reduced physical, sensory or



mental capabilities, or lack of experience and knowledge, unless they have been given supervision or instruction concerning use of the appliance by a person responsible for their safety. (For IEC60335-1 )

- Packaging material could be dangerous for children!
- This appliance is for indoor household use only.  
To protect against the risk of electrical shock, do not immerse the unit, cord or plug in water or other liquid.
- Please unplug before cleaning and performing maintenance on the appliance.
- Use a soft cloth moistened with mild soap, and then use a dry cloth to wipe it again.



## **Earthing Instructions**

---

- This appliance must be earthed. In the event of a malfunction or breakdown, earthing will reduce the risk of an electric shock by providing a path of least resistance of electric current. This appliance is equipped with an earthing conductor plug.
- The plug must be plugged into an appropriate outlet that is installed and earthed in accordance with all local codes and ordinances.
- Improper connection of the equipment-earthing conductor can result in the risk of an electric shock.
- Check with a qualified electrician or service representative if you are in doubt whether the appliance is properly grounded.

- Do not modify the plug provided with the appliance; If it does not fit the outlet.
- Have a proper outlet installed by a qualified electrician.
- Do not abuse, sit on, or stand on the door or dish rack of the dishwasher.
- Do not operate your dishwasher unless all enclosure panels are properly in place.
- Open the door very carefully if the dishwasher is operating, there is a risk of water squirting out.
- Do not place any heavy objects on or stand on the door when it is open. The appliance could tip forward.
- When loading items to be washed:
  - 1) Locate sharp items so that they are not likely to damage the door seal;
  - 2) Warning: Knives and other utensils with sharp points must be loaded in the basket with their points facing down or placed in a horizontal position.
- Some dishwasher detergents are strongly alkaline. They can be extremely dangerous if swallowed. Avoid contact with the skin and eyes and keep children away from the dishwasher when the door is open.
- Check that the detergent powder is empty after completion of the wash cycle.

- Do not wash plastic items unless they are marked “dishwasher safe” or the equivalent.
- For unmarked plastic items not so marked, check the manufacturer's recommendations.
- Use only detergent and rinse agents recommended for use in an automatic dishwasher.
- Never use soap, laundry detergent, or hand washing detergent in your dishwasher.
- The door should not be left open, since this could increase the risk of tripping.  
If the supply cord is damaged, it must be replaced by the manufacturer or its service agent or a similarly qualified person in order to avoid a hazard.
- During installation, the power supply must not be excessively or dangerously bent or flattened.
- Do not tamper with controls.
- The appliance needs to be connected to the main water valve using new hose sets. Old sets should not be reused.
- To save energy, in stand by mode, the appliance will switch off automatically while there is no any operation in 15 minutes .
- The maximum number of place settings to be washed is 13.
- The maximum permissible inlet water pressure is 1MPa.
- The minimum permissible inlet water pressure is 0.04MPa.

## Disposal

---

- For disposing of package and the appliance please go to a recycling center. Therefore cut off the power supply cable and make the door closing device unusable.

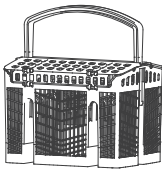
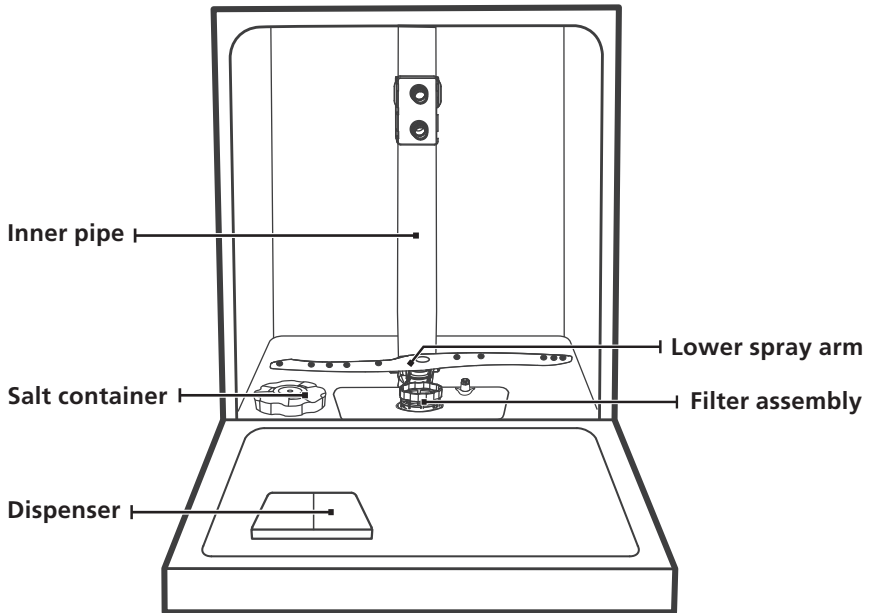


- Cardboard packaging is manufactured from recycled paper and should be disposed in the waste paper collection for recycling.
- By ensuring this product is disposed of correctly, you will help prevent potential negative consequences for the environment and human health, which could otherwise be caused by inappropriate waste handling of this product.
- For more detailed information about recycling of this product, please contact your local city office and your household waste disposal service.
- **DISPOSAL: Do not dispose this product as unsorted municipal waste. Collection of such waste separately for special treatment is necessary.**

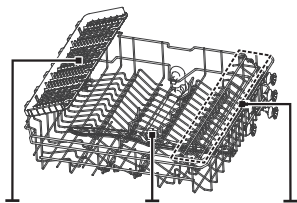
# PRODUCT OVERVIEW

## ❗ IMPORTANT:

To get the best performance from your dishwasher, read all operating instructions before using it for the first time.

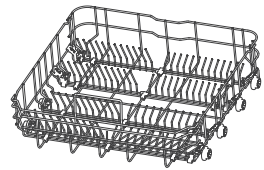


Cutlery basket



Cutlery rack Upper spray arm Cup rack

Upper basket



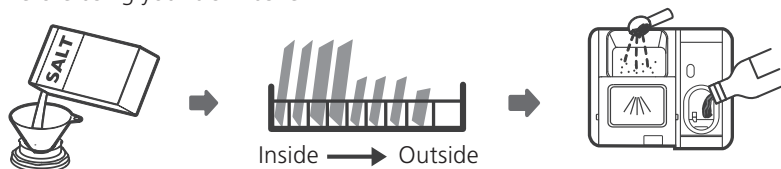
Lower basket

## 💡 NOTE:

Pictures are only for reference, different models may be different. Please prevail in kind.

# USING YOUR DISHWASHER

Before using your dishwasher :



1. Set the water softener
2. Loading the salt Into the softener
3. Loading the basket
4. Fill the dispenser



Please check the section 1 “Water Softener” of PART II : Special Version, if you need to set the water softener .

## Loading The Salt Into The Softener

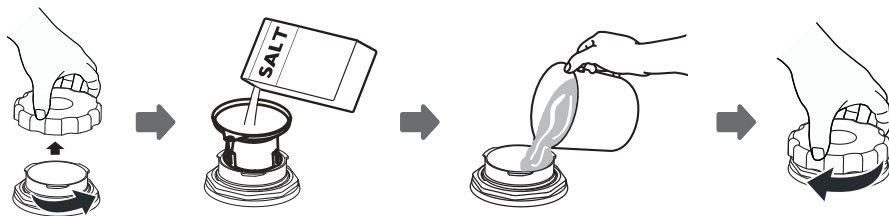
### NOTE:

If your model does not have any water softener, you may skip this section. Always use salt intended for dishwasher use. The salt container is located beneath the lower basket and should be filled as explained in the following:

### WARNING


- **Only use salt specifically designed for dishwashers use!**  
Every other type of salt not specifically designed for dishwasher use, especially table salt, will damage the water softener. In case of damages caused by the use of unsuitable salt the manufacturer does not give any warranty nor is liable for any damages caused.
- **Only fill with salt before running a cycle.**  
This will prevent any grains of salt or salty water, which may have been spilled, remaining on the bottom of the machine for any period of time, which may cause corrosion.

Please follow the steps below for adding dishwasher salt:



1. Remove the lower basket and unscrew the reservoir cap.
2. Place the end of the funnel (supplied) into the hole and pour in about 1.5kg of dishwasher salt.
3. Fill the salt container to its maximum limit with water, It is normal for a small amount of water to come out of the salt container.
4. After filling the container, screw back the cap tightly.
5. The salt warning light will stop being after the salt container has been filled with salt.
6. Immediately after filling the salt into the salt container, a washing program should be started (We suggest to use a short program). Otherwise the filter system, pump or other important parts of the machine may be damaged by salty water. This is out of warranty.

### **NOTE:**

- The salt container must only be refilled when the salt warning light (  ) in the control panel comes on. Depending on how well the salt dissolves, the salt warning light may still be on even though the salt container is filled.  
If there is no salt warning light in the control panel (for some Models), you can estimate when to fill the salt into the softener by the cycles that the dishwasher has run.
- If salt has spilled, run a soak or quick program to remove it.

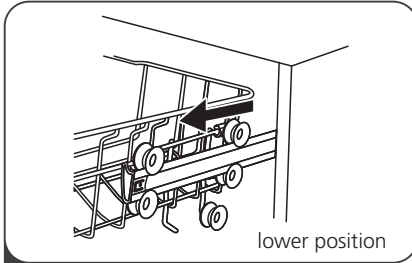
# Basket Used Tips

## Adjusting the upper basket

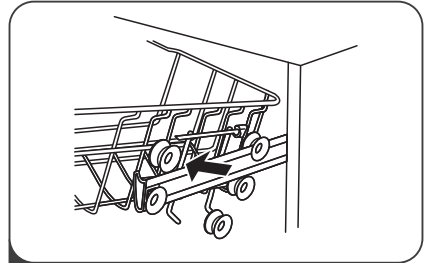
### Type 1:

The height of the upper basket can be easily adjusted to accommodate taller dishes in either the upper or lower basket.

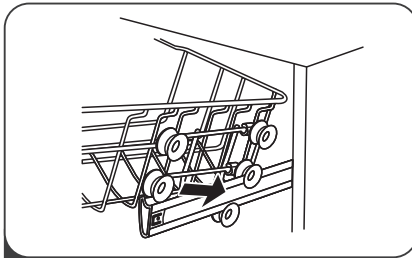
To adjust the height of the upper rack, follow these steps:



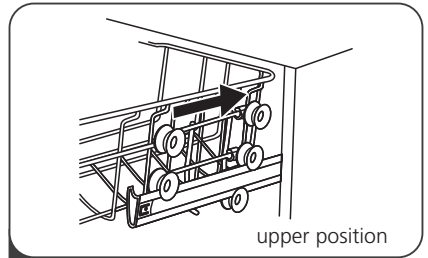
1 Pull out the upper basket.



2 Remove the upper basket.



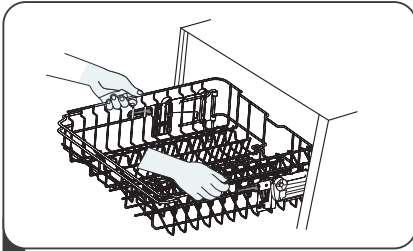
3 Re-attach the upper basket to upper or lower rollers.



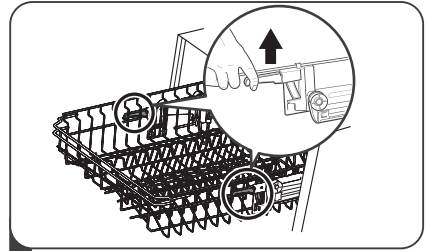
4 Push in the upper basket.



## Type 2:



- 1 To raise the upper basket, just lift the upper basket at the center of each side until the basket locks into place in the upper position. It is not necessary to lift the adjuster handle.



- 2 To lower the upper basket, lift the adjust handles on each side to release the basket and lower it to the lower position.

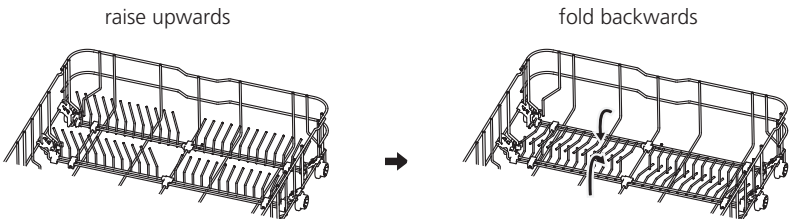
## Folding back the cup shelves

To make room for taller items in the upper basket, raise the cup rack upwards. You can then lean the tall glasses against it. You can also remove it when it is not required for use.



## Folding back the rack shelves

The spikes of the lower basket are used for holding plates and a platter. They can be lowered to make more room for large items.



# MAINTENANCE AND CLEANING

## External Care

---

### The door and the door seal

Clean the door seals regularly with a soft damp cloth to remove food deposits. When the dishwasher is being loaded, food and drink residues may drip onto the sides of the dishwasher door. These surfaces are outside the wash cabinet and are not accessed by water from the spray arms. Any deposits should be wiped off before the door is closed.

### The control panel

If cleaning is required, the control panel should be wiped with a soft damp cloth only.

#### **WARNING**

- To avoid penetration of water into the door lock and electrical components, do not use a spray cleaner of any kind.
- Never use abrasive cleaners or scouring pads on the outer surfaces because they may scratch the finish. Some paper towels may also scratch or leave marks on the surface.

## Internal Care

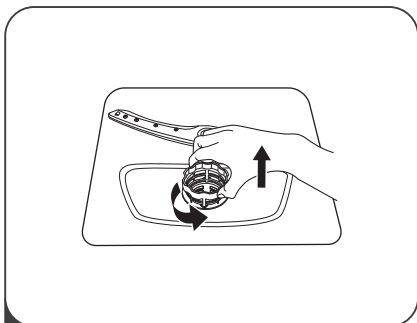
---

### Filtering system

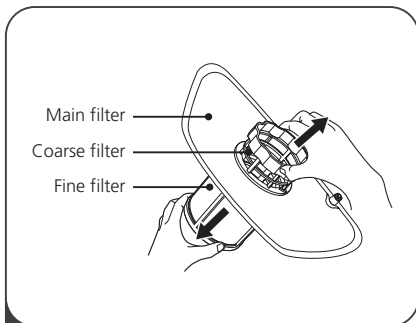
The filtering system in the base of the wash cabinet retains coarse debris from the washing cycle. The collected coarse debris may cause the filters to clog. Check the condition of the filters regularly (each months) and clean them if necessary under running water. Follow the steps below to clean the filters in the wash cabinet.

#### **NOTE:**

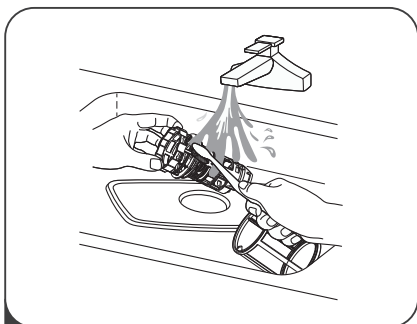
Pictures are only for reference, different models of the filtering system and spray arms may be different.



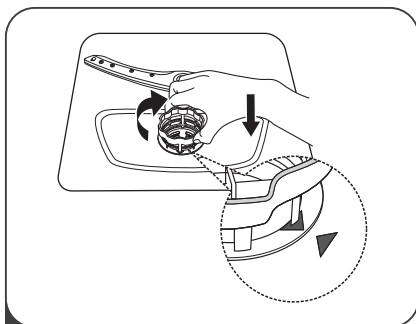
- 1** Hold the coarse filter and rotate it anticlockwise to unlock the filter. Lift the filter upwards and out of the dishwasher.



- 2** The fine filter can be pulled off the bottom of the filter assembly. The coarse filter can be detached from the main filter by gently squeezing the tabs at the top and pulling it away.



- 3** Larger food remnants can be cleaned by rinsing the filter under running water. For a more thorough clean, use a soft cleaning brush.



- 4** Reassemble the filters in the reverse order of the disassembly, replace the filter insert, and rotate clockwise to the close arrow.

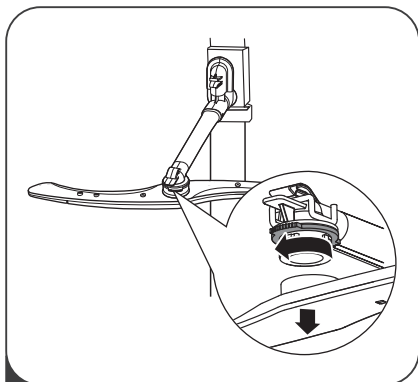
### **⚠ WARNING**

- Do not over tighten the filters. Put the filters back in sequence securely, otherwise coarse debris could get into the system and cause a blockage.
- Never use the dishwasher without filters in place. Improper replacement of the filter may reduce the performance level of the appliance and damage dishes and utensils.

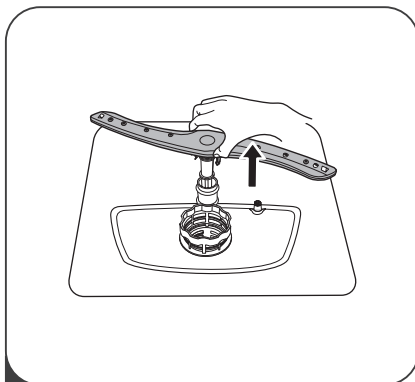
## Spray arms

It is necessary to clean the spray arms regularly for hard water chemicals will clog the spray arm jets and bearings.

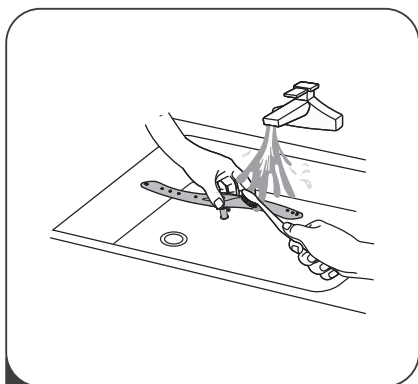
To clean the spray arms, follow the instructions below:



- 1** To remove the upper spray arm, hold the nut, rotate the arm clockwise to remove it.



- 2** To remove the lower spray arm, pull out the spray arm upward.



- 3** Wash the arms in soapy and warm water and use a soft brush to clean the jets. Replace them after rinsing them thoroughly.

# Caring For The Dishwasher

---

## Frost precaution

Please take frost protection measures on the dishwasher in winter. Every time after washing cycles, please operate as follows:

1. Cut off the electrical power to the dishwasher at the supply source.
2. Turn off the water supply and disconnect the water inlet pipe from the water valve.
3. Drain the water from the inlet pipe and water valve. (Use a pan to gather the water)
4. Reconnect the water inlet pipe to the water valve.
5. Remove the filter at the bottom of the tub and use a sponge to soak up water in the sump.

## After every wash

After every wash, turn off the water supply to the appliance and leave the door slightly open so that moisture and odors are not trapped inside.

## Remove the plug

Before cleaning or performing maintenance, always remove the plug from the socket.

## No solvents or abrasive cleaning

To clean the exterior and rubber parts of the dishwasher, do not use solvents or abrasive cleaning products. Only use a cloth with warm soapy water.

To remove spots or stains from the surface of the interior, use a cloth dampened with water and a little vinegar, or a cleaning product made specifically for dishwashers.

## When not in use for a longtime

It is recommended that you run a wash cycle with the dishwasher empty and then remove the plug from the socket, turn off the water supply and leave the door of the appliance slightly open. This will help the door seals to last longer and prevent odors from forming within the appliance.

## Moving the appliance

If the appliance must be moved, try to keep it in the vertical position. If absolutely necessary, it can be positioned on its back.

## Seals

One of the factors that cause odours to form in the dishwasher is food that remains trapped in the seals. Periodic cleaning with a damp sponge will prevent this from occurring.

# INSTALLATION INSTRUCTION

## ⚠ WARNING



### Electrical Shock Hazard

Disconnect electrical power before installing dishwasher.

Failure to do so could result in death or electrical shock.

## ⚠ Attention

The installation of the pipes and electrical equipments should be done by professionals.

## About Power Connection

## ⚠ WARNING

For personal safety:

- Do not use an extension cord or an adapter plug with this appliance.
- Do not, under any circumstances, cut or remove the earthing connection from the power cord.

### Electrical requirements

Please look at the rating label to know the rating voltage and connect the dishwasher to the appropriate power supply. Use the required fuse 10A/13A/16A, time delay fuse or circuit breaker recommended and provide separate circuit serving only this appliance.

### Electrical connection

Ensure the voltage and frequency of the power being corresponds to those on the rating plate. Only insert the plug into an electrical socket which is earthed properly. If the electrical socket to which the appliance must be connected is not appropriate for the plug, replace the socket, rather than using a adaptors or the like as they could cause overheating and burns.

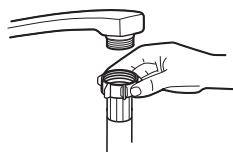
⚠ Ensure that proper earthing exists before use

# Water Supply And Drain

## Cold water connection

Connect the cold water supply hose to a threaded 3/4(inch) connector and make sure that it is fastened tightly in place.

If the water pipes are new or have not been used for an extended period of time, let the water run to make sure that the water is clear. This precaution is needed to avoid the risk of the water inlet to be blocked and damage the appliance.



ordinary supply hose



safety supply hose

## About the safety supply hose

The safety supply hose consists of the double walls. The hose's system guarantees its intervention by blocking the flow of water in case of the supply hose breaking and when the air space between the supply hose itself and the outer corrugated hose is full of water.

### **⚠ WARNING**

A hose that attaches to a sink spray can burst if it is installed on the same water line as the dishwasher. If your sink has one, it is recommended that the hose be disconnected and the hole plugged.

## How to connect the safety supply hose

1. Pull The safety supply hoses completely out from storage compartment located at rear of dishwasher.
2. Tighter the screws of the safety supply hose to the faucet with thread 3/4inch.
3. Turn water fully on before starting the dishwasher.

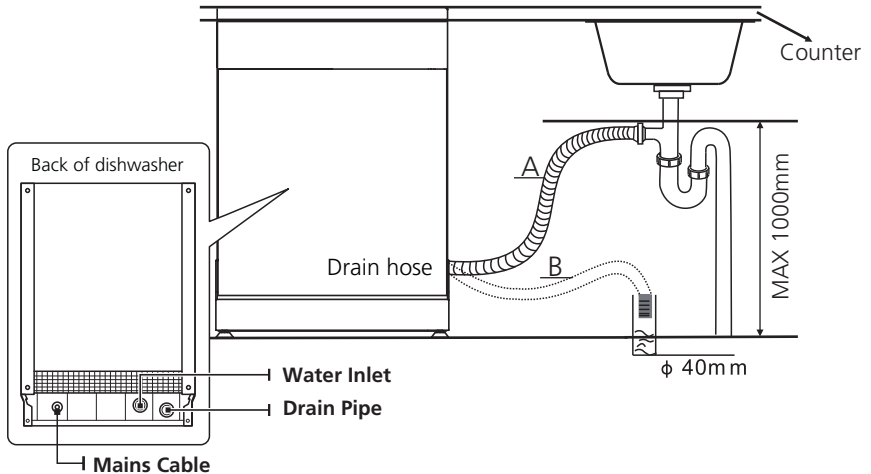
## How to disconnect the safety supply hose

1. Turn off the water.
2. Unscrew the safety supply hose from the faucet.

# Connection Of Drain Hoses

Insert the drain hose into a drain pipe with a minimum diameter of 4 cm, or let it run into the sink, making sure to avoid bending or crimping it. The height of drain pipe must be less than 1000mm. The free end of the hose must not be immersed in water to avoid the back flow of it.

**⚠** Please securely fix the drain hose in either position A or position B



## How to drain excess water from hoses

If the sink is 1000 higher from the floor, the excess water in hoses cannot be drained directly into the sink. It will be necessary to drain excess water from hoses into a bowl or suitable container that is held outside and lower than the sink.

## Water outlet

Connect the water drain hose. The drain hose must be correctly fitted to avoid water leaks. Ensure that the water drain hose is not kinked or squashed.

## Extension hose

If you need a drain hose extension, make sure to use a similar drain hose. It must be no longer than 4 meters; otherwise the cleaning effect of the dishwasher could be reduced.

## Syphon connection

The waste connection must be at a height less than 100 cm (maximum) from the bottom of the dish. The water drain hose should be fixed .



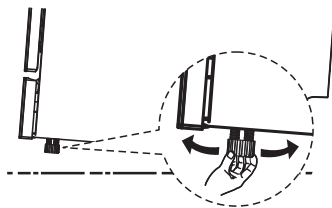
## Position The Appliance

---

Position the appliance in the desired location. The back should rest against the wall behind it, and the sides, along the adjacent cabinets or walls. The dishwasher is equipped with water supply and drain hoses that can be positioned either to the right or the left sides to facilitate proper installation.

### Levelling the appliance

Once the appliance is positioned for levelling, the height of the dishwasher may be altered via adjustment of the screwing level of the feet. In any case, the appliance should not be inclined more than 2°.



### NOTE:

Only apply to the free standing dishwasher.

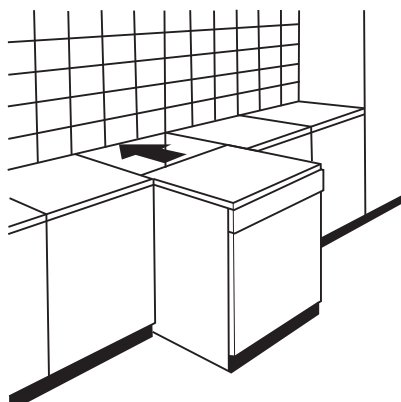
## Free Standing Installation

---

### Fitting between existing carbinets

The height of the dishwasher, 845 mm, has been designed in order to allow the machine to be fitted between existing cabinets of the same height in modern fitted kitchens. The feet can be adjusted so that correct height is reached.

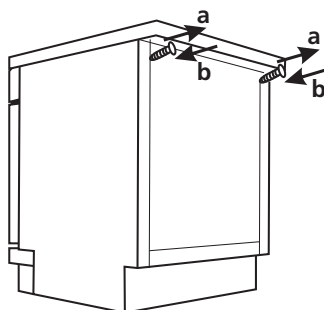
The laminated top of the machine does not require any particular care since it is heatproof, scratchproof and stainproof.



## Underneath existing work top

(When fitting beneath a work top)

In most modern fitted kitchens there is only one single work top under which cabinets and electrical appliances are fitted. In this case remove the work top of the dishwasher by unscrewing the screws under the rear edge of the top (a).



### ⚠ Attention

After removing the work top, the screws must be screwed again under the rear edge of the top (b).

The height will then be reduced to 815 mm, as scheduled by the International Regulations (ISO) and the dishwasher will fit perfectly under the kitchen working top

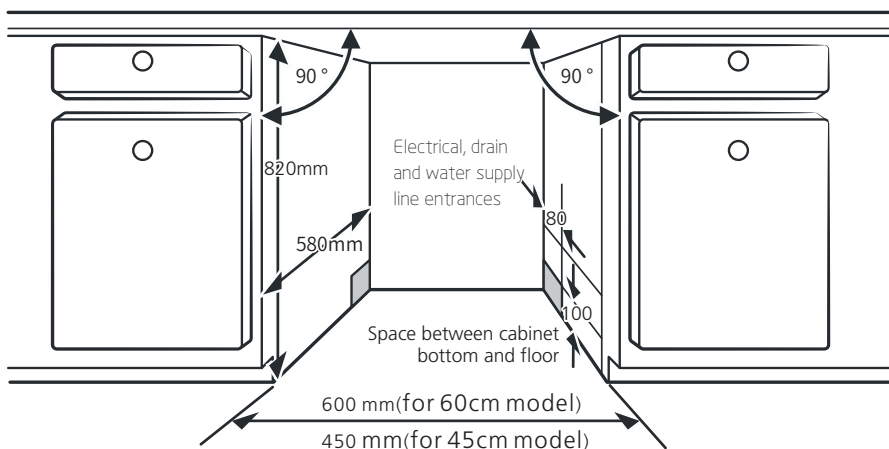
## Built-In Installation(for the integrated model)

### Step 1. Selecting the best location for the dishwasher

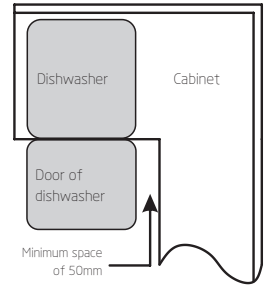
The installation position of dishwasher should be near the existing inlet and drain hoses and power cord.

Illustrations of cabinet dimensions and installation position of the dishwasher.

1. Less than 5 mm between the top of dishwasher and cabinet and the outer door aligned to cabinet.



2. If dishwasher is installed at the corner of the cabinet, there should be some space when the door is opened.



**NOTE:**

Depending on where your electrical outlet is, you may need to cut a hole in the opposite cabinet side.

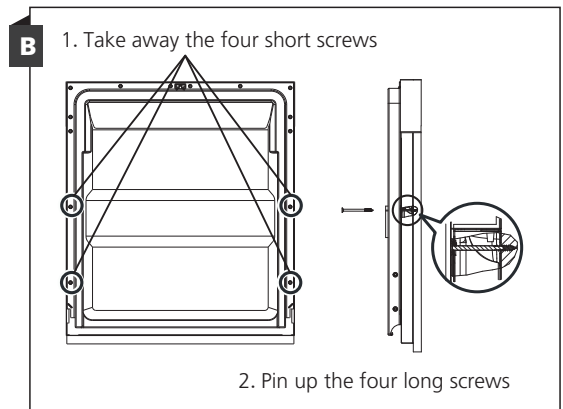
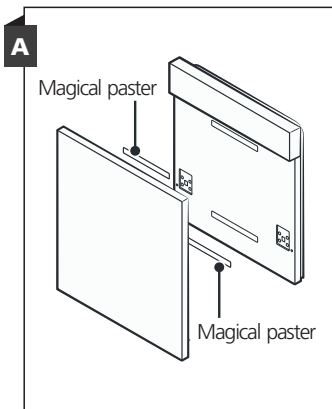
## Step 2. Aesthetic panel's dimensions and installation



The aesthetic wooden panel could be processed according to the installation drawings.

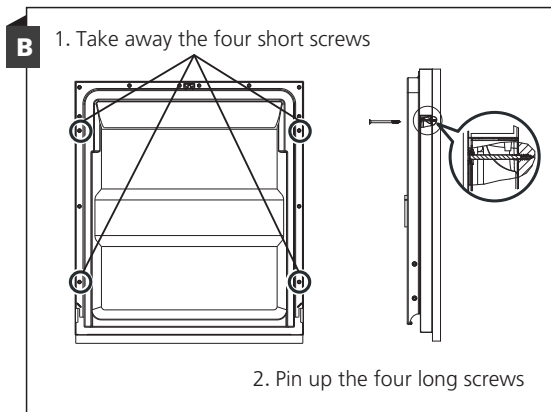
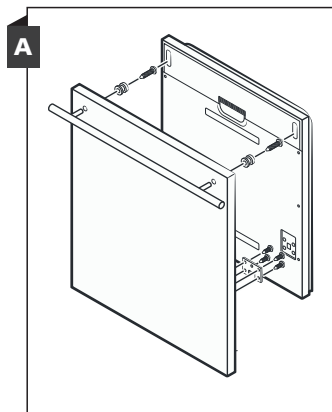
### Semi-integrated model

Magical paster A and magical paster B be disjoined on ,magical paster A on the aesthetic wooden panel and felted magical paster B of the outer door of dishwasher (see figure A). After positioning of the panel , fix the panel onto the outer door by screws and bolts (See figure B).



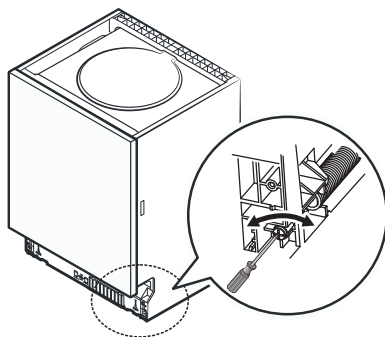
## Full-integrated model

Install the hook on the aesthetic wooden panel and put the hook into the slot of the outer door of dishwasher (see figure A). After positioning of the panel, fix the panel onto the outer door by screws and bolts (See figure B).



## Step 3. Tension adjustment of the door spring

1. The door springs are set at the factory to the proper tension for the outer door. If aesthetic wooden panels are installed, you will have to adjust the door spring tension. Rotate the adjusting screw to drive the adjuster to strain or relax the steel cable.
2. Door spring tension is correct when the door remains horizontal in the fully opened position, yet rises to a close with the slight lift of a finger.

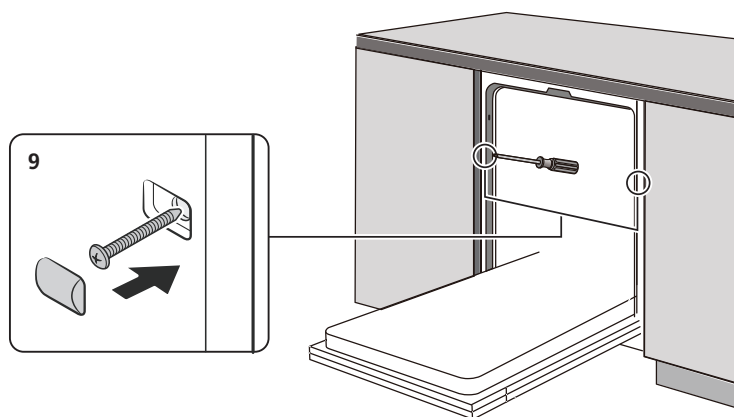


## Step 4. Dishwasher installation steps



Please refer to the specified installation steps in the installation drawings.

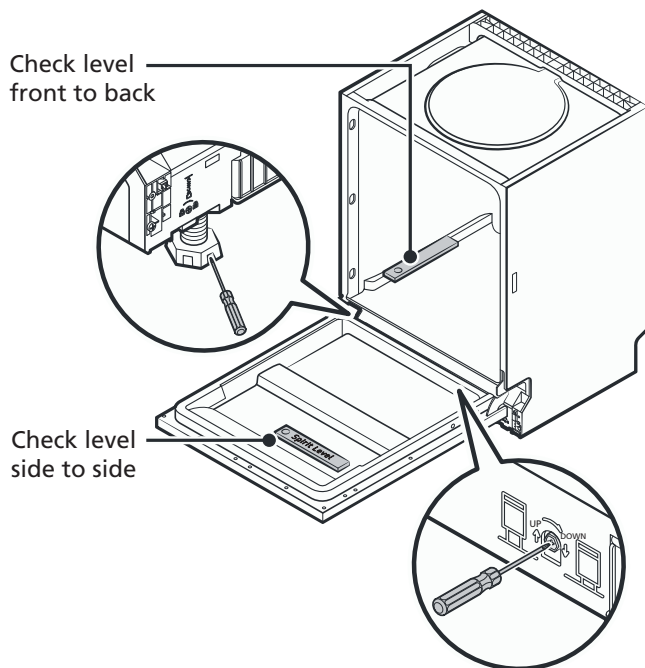
1. Affix the condensation strip under the work surface of cabinet. Please ensure the condensation strip is flush with edge of work surface. (Step 2)
2. Connect the inlet hose to the cold water supply.
3. Connect the drain hose.
4. Connect the power cord.
5. Place the dishwasher into position. (Step 4)
6. Level the dishwasher. The rear foot can be adjusted from the front of the dishwasher by turning the Philips screw in the middle of the base of dishwasher use an Philips screw. To adjust the front feet, use a flat screw driver and turn the front feet until the dishwasher is level. (Step 5 to Step 6)
7. Install the furniture door to the outer door of the dishwasher. (Step 7 to Step 10)
8. Adjust the tension of the door springs by using an Allen key turning in a clockwise motion to tighten the left and right door springs. Failure to do this could cause damage to your dishwasher. (Step 11)
9. The dishwasher must be secured in place. Fix the side with screws.



## Step 5. Levelling the dishwasher

Dishwasher must be level for proper dish rack operation and wash performance.

1. Place a spirit level on door and rack track inside the tub as shown to check that the dishwasher is level.
2. Level the dishwasher by adjusting the three levelling legs individually.
3. When level the dishwasher, please pay attention not to let the dishwasher tip over.



### **NOTE:**

The maximum adjustment height of the feet is 50 mm.

# TROUBLESHOOTING TIPS

## Before Calling For Service

Reviewing the charts on the following pages may save you from calling for service.

Problem	Possible Causes	What To Do
Dishwasher doesn't start	Fuse blown, or the circuit break tripped.	Replace fuse or reset circuit breaker. Remove any other appliances sharing the same circuit with the dishwasher.
	Power supply is not turned on.	Make sure the dishwasher is turned on and the door is closed securely. Make sure the power cord is properly plugged into the wall socket.
	Water pressure is low	Check that the water supply is connected properly and the water is turned on.
	Door of dishwasher not properly closed.	Make sure to close the door properly and latch it.
Water not pumped form dishwasher	Twisted or trapped drain hose.	Check the drain hose.
	Filter clogged.	Check coarse the filter.
	Kitchen sink clogged.	Check the kitchen sink to make sure it is draining well. If the problem is the kitchen sink that is not draining , you may need a plumber rather than a serviceman for dishwashers.
Suds in the tub	Wrong detergent.	Use only the special dishwasher detergent to avoid suds. If this occurs, open the dishwasher and let suds evaporate. Add 1 gallon of cold water to the bottom of the dishwasher. Close the dishwasher door, then select any cycle. Initially, the dishwasher will drain out the water. Open the door after draining stage is complete and check if the suds have disappeared. Repeat if necessary.

<b>Problem</b>	<b>Possible Causes</b>	<b>What To Do</b>
	Spilled rinse-aid.	Always wipe up rinse-aid spills immediately.
Stained tub interior	Detergent with colourant may have been used.	Make sure that the detergent has no colourant.
White film on inside surface	Hard water minerals.	To clean the interior, use a damp sponge with dishwasher detergent and wear rubber gloves. Never use any other cleaner than dishwasher detergent otherwise, it may cause foaming or suds.
There are rust stains on cutlery	The affected items are not corrosion resistant.	Avoid washing items that are not corrosion resistant in the dishwasher.
	A program was not run after dishwasher salt was added. Traces of salt have gotten into the wash cycle.	Always run a wash program without any crockery after adding salt. Do not select the Turbo function (if present), after adding dishwasher salt.
	The lid of the softer is loose.	Check the softener lid is secure.
Knocking noise in the dishwasher	A spray arm is knocking against an item in a basket	Interrupt the program and rearrange the items which are obstructing the spray arm.
Rattling noise in the dishwasher	Items of crockery are loose in the dishwasher.	Interrupt the program and rearrange the items of crockery.
Knocking noise in the water pipes	This may be caused by on-site installation or the cross-section of the piping.	This has no influence on the dishwasher function. If in doubt, contact a qualified plumber.
The dishes are not clean	The dishes were not loaded correctly.	See PART II "Preparing And Loading Dishes".
	The program was not powerful enough.	Select a more intensive program.

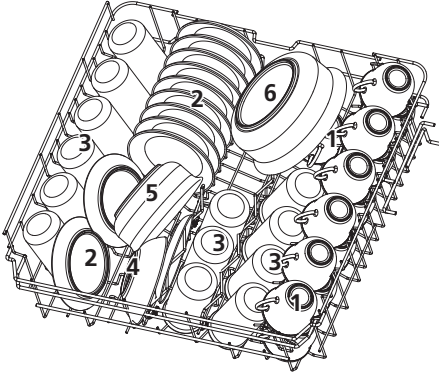


<b>Problem</b>	<b>Possible Causes</b>	<b>What To Do</b>
The dishes are not clean.	Not enough detergent was dispensed.	Use more detergent, or change your detergent.
	Items are blocking the movement of the spray arms.	Rearrange the items so that the spray can rotate freely.
	The filter combination is not clean or is not correctly fitted in the base of wash cabinet. This may cause the spray arm jets to get blocked.	Clean and/or fit the filter correctly. Clean the spray arm jets.
Cloudiness on glassware.	Combination of soft water and too much detergent.	Use less detergent if you have soft water and select a shorter cycle to wash the glassware and to get them clean.
White spots appear on dishes and glasses.	Hard water area can cause limescale deposits.	Add more detergent.
Black or grey marks on dishes	Aluminium utensils have rubbed against dishes	Use a mild abrasive cleaner to eliminate those marks.
Detergent left in dispenser	Dishes block detergent dispenser	Re-loading the dishes properly.
The dishes aren't drying	Improper loading	Load the dishwasher as suggested in the directions.
	Dishes are removed too soon	Do not empty your dishwasher immediately after washing. Open the door slightly so that the steam can come out. Take out the dishes until the inside temperature is safe to touch. Unload the lower basket first to prevent the dropping water from the upper basket.

Problem	Possible Causes	What To Do
The dishes aren't drying	Wrong program has been selected.	With a short program, the washing temperature is lower, decreasing cleaning performance. Choose a program with a long washing time.
	Use of cutlery with a low-quality coating.	Water drainage is more difficult with these items. Cutlery or dishes of this type are not suitable for washing in the dishwasher.

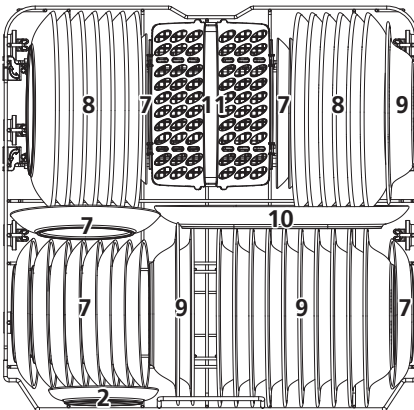
# LOADING THE BASKETS ACCORDING TO EN50242:

## 1.Upper basket:



Number	Item
1	Cups
2	Saucers
3	Glasses
4	Small serving bowl
5	Medium serving bowl
6	Large serving bowl

## 2.Lower basket:

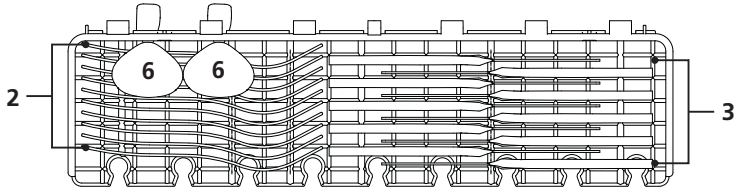


Number	Item
7	Dessert dishes
8	Dinner plates
9	Soup plates
10	Oval platter
11	Cutlery basket

### **⚠ WARNING**

Non compliance with the loading can result to poor washing quality.

### 3. Cutlery rack:

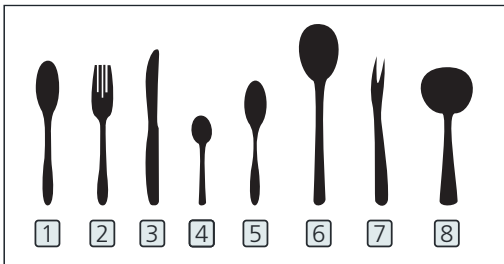
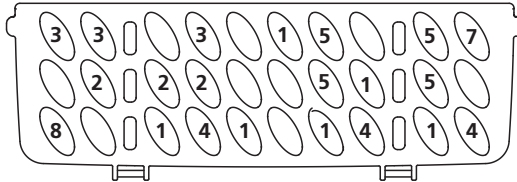
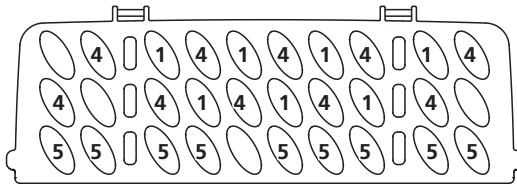


#### NOTE:

Please place the light flat wares on the shelf. The total weight is less than 1.5kg.

### 4. Cutlery basket:

—————> IN



Number	Item
1	Soup spoons
2	Forks
3	Knives
4	Tea spoons
5	Dessert spoons
6	Serving spoons
7	Serving fork
8	Gravy ladle

Information for comparability tests in accordance with EN50242

Capacity: 13 place settings

Position of the upper basket: lower position

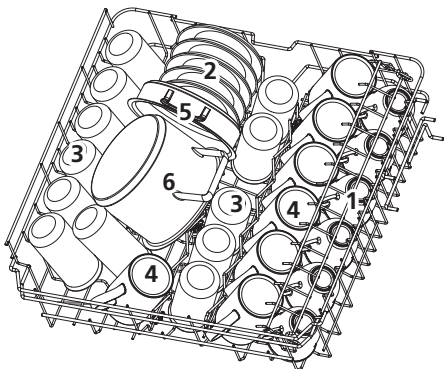
Program: ECO

Rinse aid setting: 5

Softener setting: H3

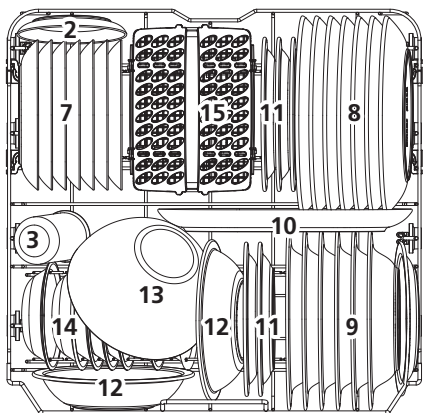
# LOADING THE BASKETS ACCORDING TO EN60436:

## 1.Upper basket:



Number	Item
1	Cups
2	Saucers
3	Glasses
4	Mugs
5	Oven pot
6	Small pot

## 2.Lower basket:

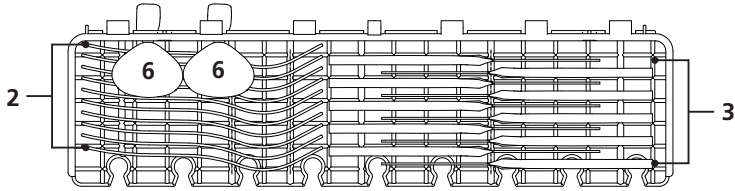


Number	Item
7	Dessert plates
8	Dinner plates
9	Soup plates
10	Oval platter
11	Melamine dessert plates
12	Melamine bowls
13	Glass bowl
14	Dessert bowls
15	Cutlery basket

### **⚠ WARNING**

Non compliance with the loading can result to poor washing quality.

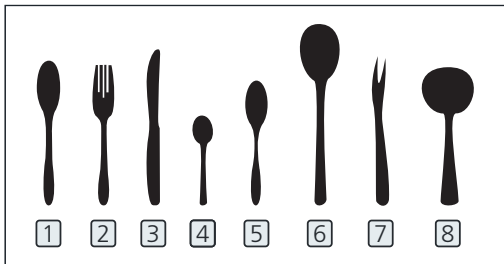
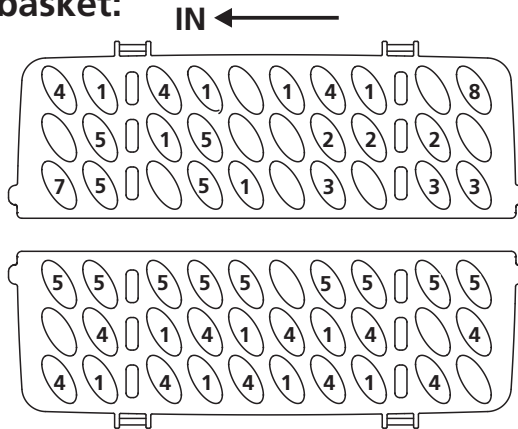
### 3. Cutlery rack:



### NOTE:

Please place the light flat wares on the shelf. The total weight is less than 1.5kg.

### 4. Cutlery basket:



Number	Item
1	Soup spoons
2	Forks
3	Knives
4	Tea spoons
5	Dessert spoons
6	Serving spoons
7	Serving fork
8	Gravy ladle

Information for comparability tests in accordance with EN60436

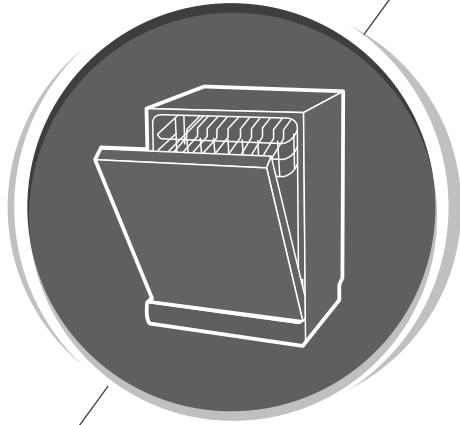
Capacity: 13 place settings

Position of the upper basket: lower position

Program: ECO

Rinse aid setting: 5

Softener setting: H3



# **Dishwasher** Instruction Manual

**PART II: Special Version**

# CONTENTS

01	<b>4</b>	<b>USING YOUR DISHWASHER</b>
	<b>4</b>	Control Panel
	<b>6</b>	Water Softener
	<b>7</b>	Preparing And Loading Dishes
	<b>10</b>	Function Of The Rinse Aid And Detergent
02	<b>11</b>	Filling The Rinse Aid Reservoir
	<b>12</b>	Filling The Detergent Dispenser
	<b>13</b>	<b>PROGRAMMING THE DISHWASHER</b>
	<b>13</b>	Wash Cycle Table
	<b>15</b>	Starting A Cycle Wash
03	<b>15</b>	Changing The Program Mid-cycle
	<b>16</b>	Forget To Add A Dish?
	<b>17</b>	<b>ERROR CODES</b>
04	<b>18</b>	<b>TECHNICAL INFORMATION</b>



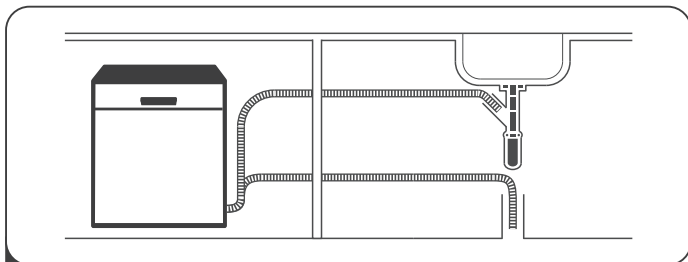
## **NOTE:**

- If you cannot solve the problems by yourself, please ask for help from a professional technician.
- The manufacturer, following a policy of constant development and updating of the product, may make modifications without giving prior notice.
- If lost or out-of-date, you can receive a new user manual from the manufacturer or responsible vendor.



# QUICK USER GUIDE

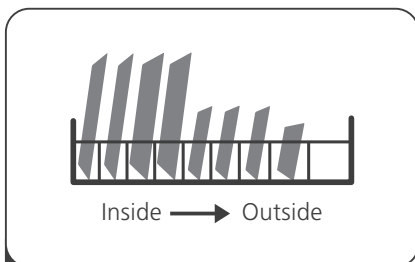
Please read the corresponding content on the instruction manual for detailed operating method.



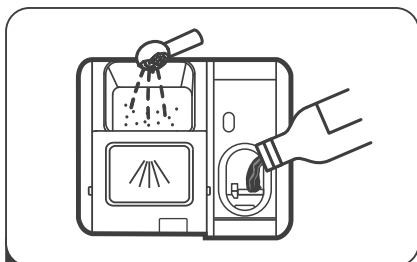
- 1 Install the dishwasher  
**(Please check the section 5 "INSTALLATION INSTRUCTION" of PART I : Generic Version.)**



- 2 Removing the larger residue on the cutlery



- 3 Loading the baskets



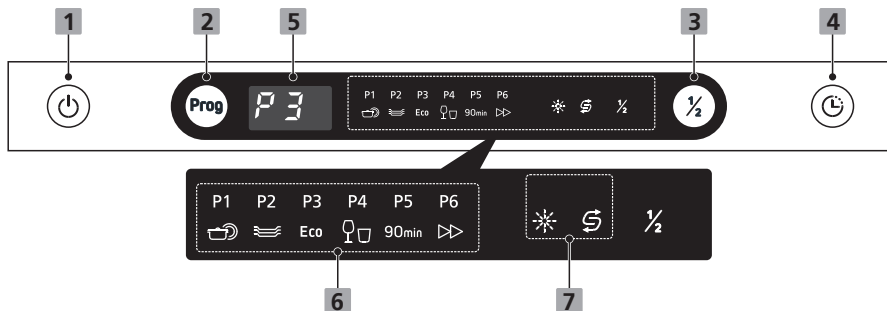
- 4 Filling the dispenser



- 5 Selecting a program and running the dishwasher

# USING YOUR DISHWASHER



## Control Panel







### Operation (Button)

<b>1 Power</b>	Press this button to turn on your dishwasher.
<b>2 Program</b>	Select the appropriate washing program, the selected program icon will be lit.
<b>3 Half-load</b>	When you have about or less than six sets of dishware to be washed, you can choose this function to save energy and water. (It can only be used with Intensive, ECO and 90 min.)
<b>4 Delay</b>	Press this button to set the delayed hours for washing. You can delay the start of washing up to 24 hours. One press on this button delays the start of washing by one hour.

### Display

<b>5 Screen</b>	To show the reminding time and delay time, error codes etc.
<b>6 Program icon</b>	<p> <b>Intensive</b> Heavily soiled items include pots and pans. With dried on food.</p> <p> <b>Universal</b> For normally soiled loads, such as pots, plates, glasses and lightly soiled pans.</p>

## Display

<p><b>6 Program icon</b></p>	<p><b>Eco ECO</b> This is the standard program suitable for normally soiled loads, such as pots, plates, glasses and lightly soiled pans.</p> <p> <b>Glass</b> For lightly soiled crockery and glass.</p> <p><b>90min 90 min</b> For normally soiled loads that need quick wash.</p> <p> <b>Rapid</b> A shorter wash for lightly soiled loads that do not need drying.</p>
<p><b>7 Warning icon</b></p>	<p> <b>Rinse Aid</b> If the "✱" indicator is lit, it means the dishwasher is low on dishwasher rinse aid and requires a refill.</p> <p> <b>Salt</b> If the "§" indicator is lit, it means the dishwasher is low on dishwasher salt and needs to be refilled.</p>

### **WARNING**

- Manual pre-rinsing of tableware items increases water and energy consumption and is not recommended.
- Washing tableware in a household dishwasher usually consumes less energy and water in the use phase than hand dishwashing when the household dishwasher is used according to the manufacturer's instructions.

# Water Softener

The water softener must be set manually, using the water hardness dial.

The water softener is designed to remove minerals and salts from the water, which would have a detrimental or adverse effect on the operation of the appliance.

The more minerals there are, the harder your water is.

The softener should be adjusted according to the hardness of the water in your area. Your local Water Authority can advise you on the hardness of the water in your area.

## Adjusting salt consumption

The dishwasher is designed to allow for adjustment in the amount of salt consumed based on the hardness of the water used. This is intended to optimise and customise the level of salt consumption.

Please follow the steps below for adjustment in salt consumption.

1. Open the door and switch on the appliance.
2. Press the Program button for more than 5 seconds, when the salt indicator flashes means entering the water softener settings.  
set model within 60 seconds after the appliance was switched on.
3. Press the Program button to select the proper set according to your local environment, the sets will change in the following sequence:  
H1->H2->H3->H4->H5->H6.
4. Without operation in 5 seconds or press the Power button to complete the setup and exit the setup mode.

WATER HARDNESS				Water softener level	Salt consumption (gram/cycle)
German °dH	French °fH	British °Clarke	Mmol/l		
0 - 5	0 - 9	0 - 6	0 - 0.94	H1	0
6 - 11	10 - 20	7 - 14	1.0 - 2.0	H2	9
12 - 17	21 - 30	15 - 21	2.1 - 3.0	H3	12
18 - 22	31 - 40	22 - 28	3.1 - 4.0	H4	20
23 - 34	41 - 60	29 - 42	4.1 - 6.0	H5	30
35 - 55	61 - 98	43 - 69	6.1 - 9.8	H6	60

1°dH=1.25 °Clarke=1.78 °fH=0.178mmol/l

The manufactory setting: H3

Contact your local water board for information on the hardness of your water supply.



Please check the section 3 “Loading The Salt Into The Softener” of PART I : Generic Version, If your dishwasher lacks salt.



## **NOTE:**

**If your model does not have any water softener, you may skip this section.**

### **Water Softener**

The hardness of the water varies from place to place. If hard water is used in the dishwasher, deposits will form on the dishes and utensils.

The appliance is equipped with a special softener that uses a salt container specifically designed to eliminate lime and minerals from the water.

## **Preparing And Loading Dishes**

---

- Consider buying utensils which are identified as dishwasher-proof.
- For particular items, select a program with the lowest possible temperature.
- To prevent damage, do not take glass and cutlery out of the dishwasher immediately after the program has ended.

### **For washing the following cutlery/dishes**

#### **Are not suitable**

- Cutlery with wooden, horn china or mother-of-pearl handles
- Plastic items that are not heat resistant
- Older cutlery with glued parts that are not temperature resistant
- Bonded cutlery items or dishes
- Pewter or cooper items
- Crystal glass
- Steel items subject to rusting
- Wooden platters
- Items made from synthetic fibres

#### **Are of limited suitability**

- Some types of glasses can become dull after a large number of washes
- Silver and aluminum parts have a tendency to discolor during washing
- Glazed patterns may fade if machine washed frequently

## Recommendations for loading the dishwasher

Scrape off any large amounts of leftover food. Soften remnants of burnt food in pans. It is not necessary to rinse the dishes under running water.

For best performance of the dishwasher, follow these loading guidelines.

**(Features and appearance of baskets and cutlery baskets may vary from your model.)**

Place objects in the dishwasher in following way:

- Items such as cups, glasses, pots/pans, etc. are faced downwards.
- Curved items, or ones with recesses, should be loaded aslant so that water can run off.
- All utensils are stacked securely and can not tip over.
- All utensils are placed in the way that the spray arms can rotate freely during washing.
- Load hollow items such as cups, glasses, pans etc. With the opening facing downwards so that water cannot collect in the container or a deep base.
- Dishes and items of cutlery must not lie inside one another, or cover each other.
- To avoid damage, glasses should not touch one another.
- The upper basket is designed to hold more delicate and lighter dishware such as glasses, coffee and tea cups.
- Long bladed knives stored in an upright position are a potential hazard!
- Long and / or sharp items of cutlery such as carving knives must be positioned horizontally in the upper basket.
- Please do not overload your dishwasher. This is important for good results and for reasonable consumption of energy.

### **NOTE:**

Very small items should not be washed in the dishwasher as they could easily fall out of the basket.

## Removing the dishes

To prevent water dripping from the upper basket into the lower basket, we recommend that you empty the lower basket first, followed by the upper basket.

### **WARNING**



**Items will be hot!** To prevent damage, do not take glass and cutlery out of the dishwasher for around 15 minutes after the program has ended.

## Loading the upper basket

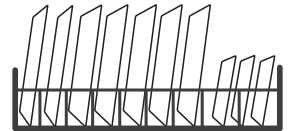
The upper basket is designed to hold more delicate and lighter dishware such as glasses, coffee and tea cups and saucers, as well as plates, small bowls and shallow pans (as long as they are not too dirty). Position the dishes and cookware so that they will not get moved by the spray of water.



## Loading the lower basket

We suggest that you place large items and the most difficult to clean items are to be placed into the lower basket: such as pots, pans, lids, serving dishes and bowls, as shown in the figure below. It is preferable to place serving dishes and lids on the side of the racks in order to avoid blocking the rotation of the top spray arm.

The maximum diameter advised for plates in front of the detergent dispenser is of 19 cm, this not to hamper the opening of it.



## Loading the cutlery basket

Cutlery should be placed in the cutlery rack separately from each other in the appropriate positions, and do make sure the utensils do not nest together, this may cause bad performance.

### **⚠ WARNING**



Do not let any item extend through the bottom.

Always load sharp utensils with the sharp point down!



For the best washing effect, please load the baskets refer to standard loading options on last section of PART I : Generic Version

# Function Of The Rinse Aid And Detergent


The rinse aid is released during the final rinse to prevent water from forming droplets on your dishes, which can leave spots and streaks. It also improves drying by allowing water to roll off the dishes. Your dishwasher is designed to use liquid rinse aids.

## WARNING

Only use branded rinse aid for dishwasher. Never fill the rinse aid dispenser with any other substances (e.g. Dishwasher cleaning agent, liquid detergent). This would damage the appliance.

## When to refill the rinse aid

The regularity of the dispenser needing to be refilled depends on how often dishes are washed and the rinse aid setting used.

- The Low Rinse Aid indicator (  ) will be lit when more rinse aid is needed.
- Do not overfill the rinse aid dispenser.

## Function of detergent

The chemical ingredients that compose the detergent are necessary to remove, crush and dispense all dirt out of the dishwasher. Most of the commercial quality detergents are suitable for this purpose.

## WARNING

- Proper Use of Detergent

Use only detergent specifically made for dishwashers use. Keep your detergent fresh and dry.

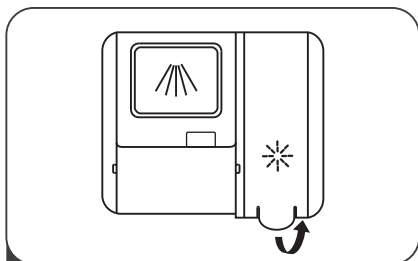
Don't put powdered detergent into the dispenser until you are ready to wash dishes.



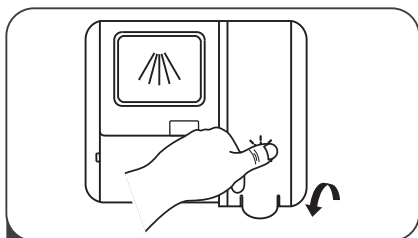
**Dishwasher detergent is corrosive! Keep dishwasher detergent out of the reach of children.**



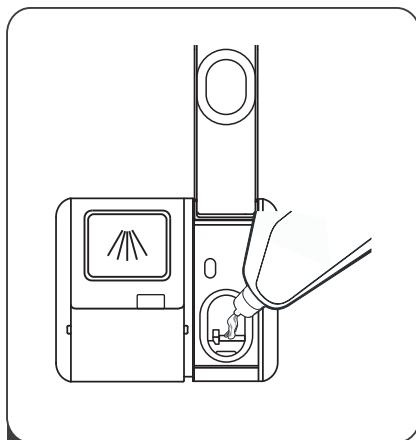
## Filling The Rinse Aid Reservoir



- 1 Remove the rinse reservoir cap by lifting up the handle .



- 3 Close the cap after all.



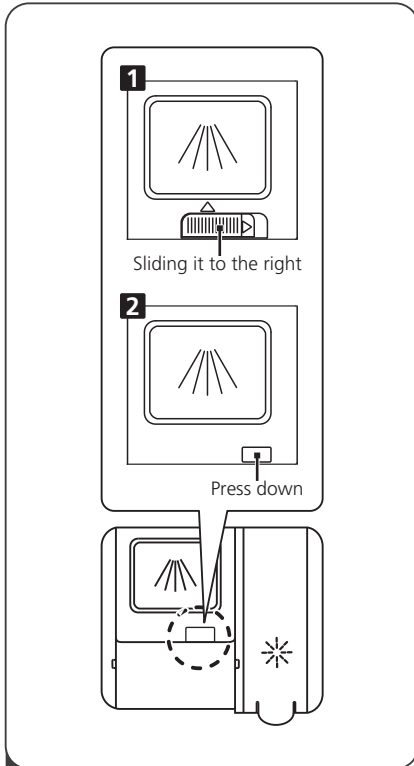
- 2 Pour the rinse aid into the dispenser, being careful not to overfill.

### Adjusting the rinse aid reservoir

To achieve a better drying performance with limited rinse aid, the dishwasher is designed to adjust the consumption by user. Follow the below steps.

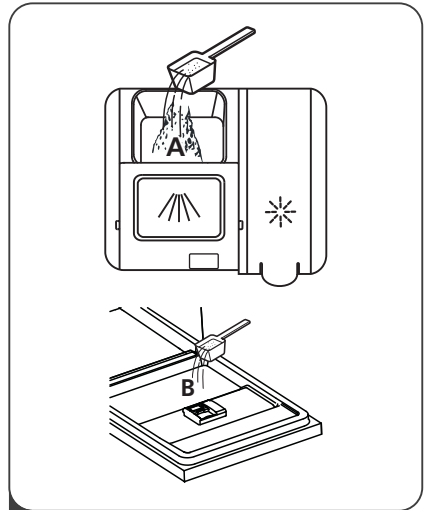
1. Open the door and switch on the appliance.
2. Within 60 seconds after step 1, press the Program button more than 5 seconds, and then press the Delay button to enter the set model, the rinse aid indication blinks as 1Hz frequency.
3. Press the Program button to select the proper set according to your using habits, the sets will change in the following sequence: D1->D2->D3->D4->D5->D1. The higher the number, the more rinse aid the dishwasher uses.
4. Without operation in 5 seconds or press the Power button to exit the set model, the set success.

# Filling The Detergent Dispenser

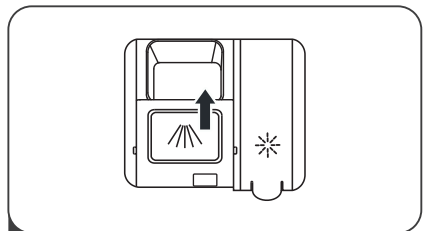


**1** Please choose an open way according to the actual situation.

1. Open the cap by sliding the release catch.
2. Open the cap by pressing down the release catch.



- 2** Add detergent into the larger cavity (A) for the main wash cycle . For better cleaning result, especially if you have very dirt items, pour a small amount of detergent onto the door. The additional detergent will activate during the pre-wash phase.



- 3** Close the flap by sliding it to the front and then pressing it down.

## NOTE:





- Be aware that depending on the soiling of water, setting may be different.
- Please observe the manufacturer's recommendations on the detergent packaging.

# PROGRAMMING THE DISHWASHER

## Wash Cycle Table

The table below shows which programs are best for the levels of food residue on them and how much detergent is needed. It also show various information about the programs.

(●) Means: need to fill rinse into the Rinse-Aid Dispenser.

Program	Description Of Cycle	Detergent Pre/Main	Running Time(min)	Energy (Kwh)	Water (L)	Rinse Aid
 <b>Intensive</b>	Pre-wash(50°C)					
	Wash(65°C)					
	Rinse	$\frac{5/27.5 \text{ g}}$	205	1.6	17.8	●
	Rinse	(1 or 2 pieces)				
	Rinse(65°C)					
 <b>Universal</b>	Pre-wash(45°C)					
	Wash(55°C)					
	Rinse	$\frac{5/27.5 \text{ g}}$	175	1.3	14.2	●
	Rinse(65°C)	(1 or 2 pieces)				
	Drying					
<b>Eco</b> (*EN50242)	Pre-wash					
	Wash(45°C)	$\frac{5/27.5 \text{ g}}$	230	0.923	11	●
	Rinse(60°C)	(1 or 2 pieces)				
	Drying					
 <b>Glass</b>	Pre-wash					
	Wash(50°C)	$\frac{5/27.5 \text{ g}}$	120	1.1	14.2	●
	Rinse	(1 piece)				
	Rinse(65°C)					
<b>90min</b> <b>90 min</b>	Wash(60°C)					
	Rinse	$\frac{32.5\text{g}}$	90	1.35	11.5	●
	Rinse(65°C)	(1 piece)				
	Drying					
 <b>Rapid</b>	Wash(50°C)					
	Rinse	25g	30	0.751	11.2	●
	Rinse(45°C)					

### NOTE:





**EN50242:** This program is the test cycle. The information for comparability test in accordance with EN50242.

Values other than the ECO program are purely indicative.

# Wash Cycle Table

The table below shows which programs are best for the levels of food residue on them and how much detergent is needed. It also show various information about the programs.

(●) Means: need to fill rinse into the Rinse-Aid Dispenser.

Program	Description Of Cycle	Detergent Pre/Main	Running Time(min)	Energy (Kwh)	Water (L)	Rinse Aid
 <b>Intensive</b>	Pre-wash(50°C) Wash(65°C) Rinse Rinse Rinse(65°C) Drying	$\frac{4/17g}{(1 \text{ or } 2 \text{ pieces})}$	205	1.6	17.8	●
 <b>Universal</b>	Pre-wash(45°C) Wash(55°C) Rinse Rinse(65°C) Drying	$\frac{4/17g}{(1 \text{ or } 2 \text{ pieces})}$	175	1.3	14.2	●
<b>Eco</b> (*EN60436)	Pre-wash Wash(45°C) Rinse(60°C) Drying	$\frac{4/17g}{(1 \text{ or } 2 \text{ pieces})}$	230	0.937	11	●
 <b>Glass</b>	Pre-wash Wash(50°C) Rinse Rinse(65°C) Drying	$\frac{4/17g}{(1 \text{ piece})}$	120	1.1	14.2	●
<b>90min</b> <b>90 min</b>	Wash(60°C) Rinse Rinse(65°C) Drying	$\frac{21g}{(1 \text{ piece})}$	90	1.35	12.5	●
 <b>Rapid</b>	Wash(50°C) Rinse Rinse(45°C)	$\frac{20g}{(1 \text{ or } 2 \text{ pieces})}$	30	0.75	11.2	○

## NOTE:

**EN60436:** This program is the test cycle. The information for comparability test in accordance with EN60436.

Values other than the ECO program are purely indicative.

## Starting A Cycle Wash

---

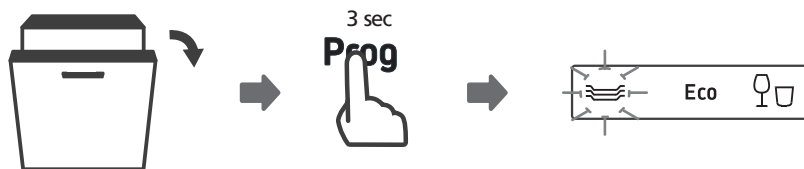
1. Draw out the lower and upper basket, load the dishes and push them back. It is commended to load the lower basket first, then the upper one.
2. Pour in the detergent.
3. Insert the plug into the socket. The power supply refer to last page "Product fiche". Make sure that the water supply is turned on to full pressure.
4. Open the door, press the Power button.
5. Choose a program, the response light will turn on. Then close the door, the dishwasher will start its cycle.

## Changing The Program Mid-cycle

---

A wash cycle can only be changed if it has been running for a short time otherwise, the detergent may have already been released and the dishwasher may have already drained the wash water. If this is the case, the dishwasher needs to be reset and the detergent dispenser must be refilled. To reset the dishwasher, follow the instructions below:

1. Open the door a little to stop the dishwasher, after the spray arm stop working, you can open the door completely.
2. Press any Program button for more 3 seconds to cancel the current program and the machine goes into standby state.
3. You can change the program to the desired cycle setting.

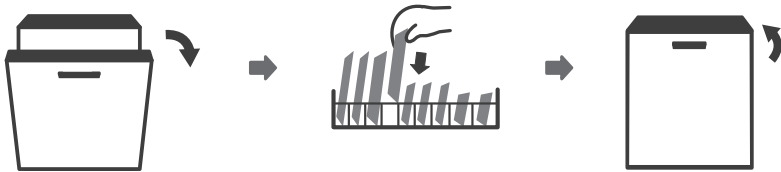


## • Forget To Add A Dish?

---

A forgotten dish can be added any time before the detergent dispenser opens. If this is the case, follow the instructions below:

1. Open the door a little to stop the washing.
2. After the spray arms stop working, you can open the door completely.
3. Add the forgotten dishes.
4. Close the door.
5. The dishwasher will start running again.



### **⚠ WARNING**



It is dangerous to open the door mid-cycle, as hot steam may scald you.

# ERROR CODES

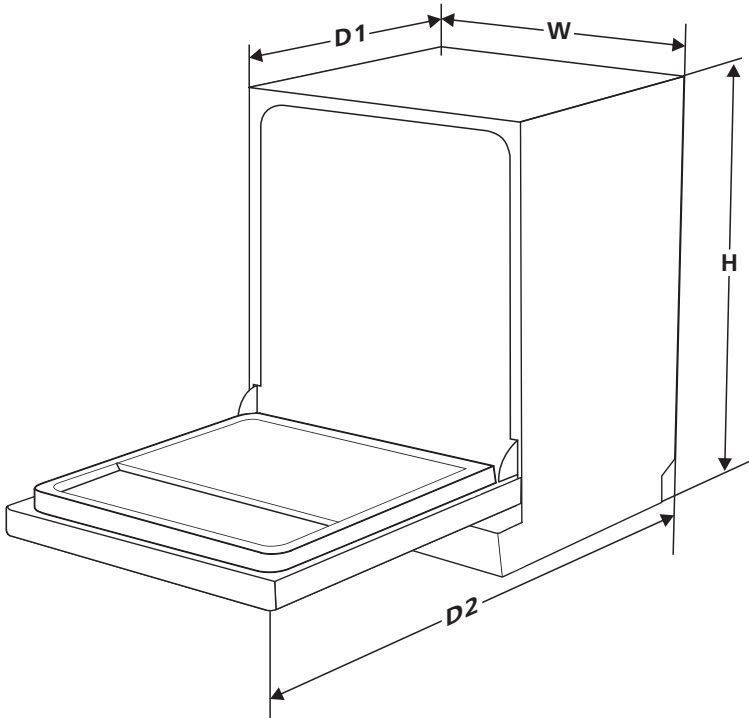
If there is a malfunction, the dishwasher will display error codes to identify these:

Codes	Meanings	Possible Causes
E1	Longer inlet time.	Faucets is not opened, or water intake is restricted, or water pressure is too low.
E3	Not reaching required temperature.	Malfunction of heating element .
E4	Overflow.	Some element of dishwasher leaks .
Ed	Failure of communication between main PCB with display pcb.	Open circuit or break wiring for the communication.

## **⚠ WARNING**

- If overflow occurs, turn off the main water supply before calling a service.
- If there is water in the base pan because of an overflow or small leak, the water should be removed before restarting the dishwasher.

# TECHNICAL INFORMATION



<b>Height (H)</b>	815mm
<b>Width (W)</b>	598mm
<b>Depth (D1)</b>	550mm (with the door closed)
<b>Depth (D2)</b>	1150mm (with the door opened 90° )



# || DATABASE ACCESS

In order to access to your model information stored in the product database, as set out in Regulation (EU) 2019/2017 and relating to energy labelling, please log on to the website: <https://eprel.ec.europa.eu/>  
Look for the reference of your product on the website by putting the service reference that is indicated on your product rating plate.  
Another means to access this information is to flash the "QR" code on the energy label of your product.

## **EN After Sales Service:**

Any maintenance on your equipment should be undertaken by:

-Either your dealer,

-Or another qualified mechanic who is an authorized agent for the brand appliances.

When making an appointment, state the full reference of your equipment (model, type and serial number). This information appears on the manufacturer's nameplate attached to your equipment.

## **INFORMATION**

The minimum period of availability of spare parts listed in the European Regulation 2019-2022-EU and accessible in particular to the user of the appliance, is 10 years under the conditions laid down in the same regulation.

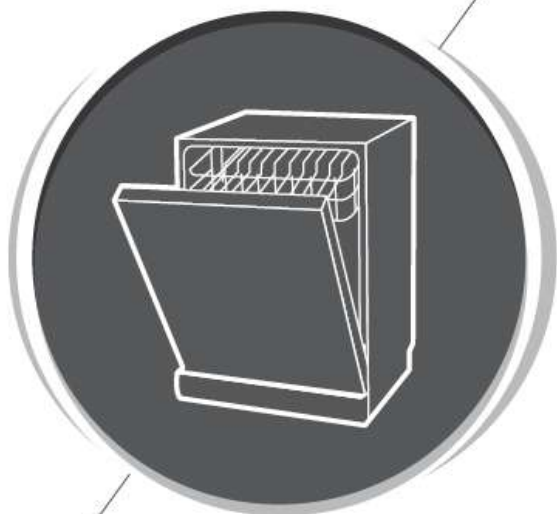
# *Brandt*



MANUEL D'INSTRUCTIONS FR

## **Lave-vaisselle**

### **DWJ137DS**



# **Lave-vaisselle**

## **Mode d'emploi**

**PARTIE I : Version générique**

# TABLE DES MATIÈRES

01	<b>3</b>	<b>CONSIGNES DE SÉCURITÉ</b>
02	<b>8</b>	<b>PRÉSENTATION DE L'APPAREIL</b>
03	<b>9</b>	<b>UTILISATION DE VOTRE LAVE-VAISSELLE</b>
	<b>9</b>	Ajout de sel dans l'adoucisseur
	<b>11</b>	Conseils d'utilisation des paniers
04	<b>13</b>	<b>ENTRETIEN ET NETTOYAGE</b>
	<b>13</b>	Entretien extérieur
	<b>13</b>	Entretien intérieur
	<b>16</b>	Entretien du lave-vaisselle
05	<b>17</b>	<b>CONSIGNES D'INSTALLATION</b>
	<b>17</b>	À propos du raccordement électrique
	<b>18</b>	Arrivée d'eau et vidange
	<b>19</b>	Raccordement du tuyau de vidange
	<b>20</b>	Positionnement de l'appareil
	<b>20</b>	Installation sur pied
06	<b>21</b>	Encastrement (pour le modèle encastré)
	<b>25</b>	<b>GUIDE DE DÉPANNAGE</b>
07	<b>30</b>	<b>PROCÉDURE DE REMPLISSAGE DES PANIERS</b>

## REMARQUE :

- Référez-vous à la rubrique Guide de dépannage : celle-ci peut vous aider à remédier vous-même à certains des problèmes les plus courants.
- Si vous ne pouvez pas remédier vous-même au problème, faites appel à un technicien professionnel.
- Conformément à sa politique d'évolution et de mise à jour constantes du produit, le fabricant est susceptible d'y apporter des modifications sans préavis.
- Si vous perdez ce mode d'emploi ou que celui-ci n'est plus à jour, vous pouvez en obtenir un nouveau auprès du fabricant ou du fournisseur responsable.

# CONSIGNES DE SÉCURITÉ

## AVERTISSEMENT !

**Lorsque vous utilisez votre lave-vaisselle, observez les précautions indiquées ci-dessous :**

- Seul un technicien qualifié peut procéder à l'installation et à la réparation de l'appareil
- Cet appareil est exclusivement destiné à un usage domestique ainsi que pour des applications similaires telles que :
  - - cuisines dans des magasins, bureaux et autres environnements de travail ;
  - - exploitations agricoles ;
  - - hôtels, motels, chambres d'hôtes et autres environnements résidentiels ;
  - - établissements de demi-pension.
- Les enfants âgés de 8 ans et plus, les personnes dont les capacités physiques, sensorielles ou mentales sont réduites et les personnes dénuées d'expérience ou de connaissances pertinentes ne sont autorisés à utiliser l'appareil que sous la responsabilité d'une personne expérimentée ou s'ils ont reçu les instructions nécessaires à l'utilisation sécurisée de l'appareil et s'ils comprennent les risques encourus.
- Les enfants ne doivent pas jouer avec l'appareil. Le nettoyage et l'entretien ne doivent pas être effectués par des enfants sans supervision. (Pour EN 60335-1)
- Cet appareil n'est pas prévu pour être utilisé par des personnes (y compris les enfants) dont les capacités physiques, sensorielles ou mentales sont réduites, ou des personnes dénuées d'expérience ou de connaissances, sauf si elles ont pu bénéficier, par l'intermédiaire d'une personne responsable de leur sécurité, d'une surveillance ou d'instructions préalables

concernant l'utilisation de l'appareil. (For CEI 60335-1)

- Les matériaux d'emballage peuvent être dangereux pour les enfants !
- Cet appareil est exclusivement réservé à un usage domestique.
- Pour éviter tout risque d'électrocution, veillez à ne jamais immerger l'appareil, le câble ou la prise dans l'eau ou dans tout autre liquide. Veuillez débrancher l'appareil avant toute opération de nettoyage ou de maintenance de l'appareil.
- Pour nettoyer l'appareil, utilisez un chiffon doux imbibé d'eau savonneuse, puis essuyez l'appareil avec un chiffon sec.



## **Consignes de mise à la terre**

---

- Cet appareil doit être mis à la terre. En cas de dysfonctionnement ou de panne, la mise à la terre de l'appareil permet de réduire les risques d'électrocution en assurant une voie de faible résistance pour le courant électrique. Cet appareil est équipé d'une prise conductrice de mise à la terre.
- La prise doit être branchée à une source adaptée qui est installée et mise à la terre conformément à l'ensemble des réglementations locales.
- Un mauvais branchement du conducteur de mise à la terre peut entraîner un risque d'électrocution.
- En cas de doute concernant la mise à la terre de l'appareil, faites appel à un électricien compétent ou à un représentant du service de réparation.
- Ne modifiez pas la fiche électrique fournie avec l'appareil.
- Si celle-ci n'est pas adaptée à votre prise, faites installer une prise adéquate par un électricien compétent.
- Veillez à ne pas abîmer, à ne pas vous asseoir et à ne

pas monter sur la porte ni sur les paniers à vaisselle du lave-vaisselle.

- N'utilisez pas votre lave-vaisselle si toutes les parois ne sont pas correctement installées.
- Faites preuve de prudence lorsque vous ouvrez la porte du lave-vaisselle alors que celui-ci est en marche : de l'eau peut s'en échapper. Veillez à ne pas placer d'objets lourds et à ne pas monter sur la porte lorsque celle-ci est ouverte. L'appareil pourrait basculer.
- Lorsque vous chargez de la vaisselle sale :
  - 1) Placez les éléments coupants de manière à ce qu'ils ne puissent pas endommager le joint de porte ;
  - 2) Attention : les couteaux et autres ustensiles coupants doivent être placés dans le panier à couvert tête vers le bas ou en position horizontale.
- Certains détergents pour lave-vaisselle sont très alcalins. Ils peuvent être extrêmement dangereux en cas d'ingestion.  
Évitez tout contact avec la peau et les yeux et éloignez les enfants du lave-vaisselle lorsque la porte de l'appareil est ouverte.
- À la fin du cycle de lavage, vérifiez que le détergent en poudre a été intégralement éliminé.
- Assurez-vous que tous vos ustensiles en plastique présentent la mention
- « lavable au lave-vaisselle » ou une autre mention équivalente avant de les laver dans l'appareil.
- Pour les ustensiles en plastique qui ne présentent aucune mention de ce type, vérifiez les recommandations du fabricant.
- Utilisez uniquement les produits détergents et les agents de rinçage recommandés pour les lave-vaisselle automatiques.
- N'utilisez jamais de savon, de lessive ou de produit de lavage à la main pour faire fonctionner votre lave-vaisselle.



- Veillez à toujours refermer la porte de l'appareil pour éviter tout risque de chute.
- Si le câble d'alimentation est endommagé, faites-le remplacer par le fabricant, par un réparateur agréé ou par une personne de compétence similaire afin d'éviter tout danger.
- Lors de l'installation de l'appareil, veillez à ne pas plier ou aplatir excessivement ou dangereusement le câble d'alimentation.
- Ne modifiez pas les commandes.
- L'appareil doit être raccordé à la valve d'alimentation principale en eau à l'aide de flexibles neufs. Ne réutilisez pas vos anciens flexibles.
- Dans un souci d'économie d'énergie, en mode veille, l'appareil s'éteint automatiquement si aucune opération n'est réalisée pendant 15 minutes.
- Ce produit dispose d'une capacité maximale de 13 couverts.
- La pression de l'eau à l'arrivée doit être égale ou inférieure à 1 MPa. La pression de l'eau à l'arrivée doit être égale ou supérieure à 0,04 MPa.

## • Mise au rebut

---

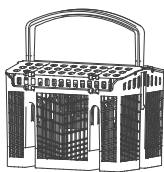
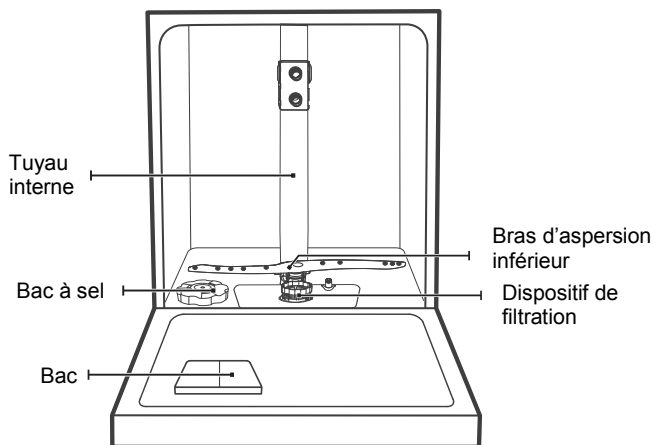
- Rendez-vous dans un centre de recyclage pour mettre au rebut l'appareil et son emballage. Pour ce faire, vous devrez couper le câble d'alimentation et rendre le système de fermeture de la porte inutilisable.
- L'emballage en carton est fabriqué à partir de papier recyclé et doit être jeté avec les déchets de papier pour être recyclé.
- En procédant à la mise au rebut de l'appareil dans les règles de l'art, vous contribuez à préserver l'environnement et la santé humaine, en veillant à ce que les déchets soient traités dans des conditions optimales.
- Pour plus d'informations concernant le recyclage de ce produit, veuillez contacter votre mairie et votre centre local de traitement des ordures ménagères.
- **MISE AU REBUT : Ne jetez pas cet appareil avec les déchets municipaux non triés. Cet appareil est à mettre au rebut séparément pour pouvoir être traité de manière adaptée.**



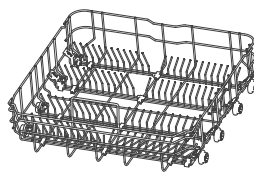
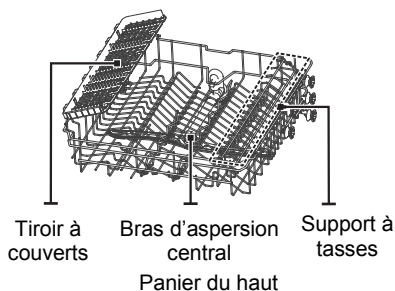
# PRÉSENTATION DE L'APPAREIL

## ❗ IMPORTANT :

Pour garantir une performance optimale du lave-vaisselle, veuillez lire l'ensemble des consignes d'utilisation avant la première utilisation.



Panier à couverts



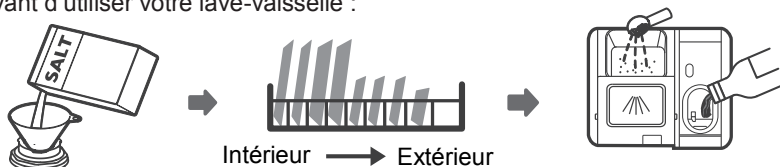
Panier du bas

## 💡 REMARQUE :

Les illustrations sont uniquement fournies à titre indicatif, les différents modèles peuvent varier. Interprétez les images en fonction de votre appareil.

# UTILISATION DE VOTRE LAVE-VAISSELLE

Avant d'utiliser votre lave-vaisselle :



1. Réglez l'adoucisseur d'eau
2. Ajoutez le sel dans l'adoucisseur
3. Déposez la vaisselle sale
4. Remplissez le bac à détergent



Veillez vous reporter à la section 1 « Adoucisseur d'eau » de la PARTIE II :  
Version spéciale,  
pour régler l'adoucisseur d'eau

## Ajout de sel dans l'adoucisseur

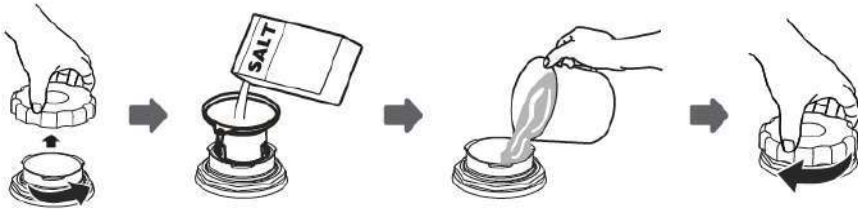
### REMARQUE :

Si votre modèle n'est pas équipé d'un adoucisseur d'eau, vous pouvez sauter cette rubrique. Veillez à toujours utiliser du sel conçu pour les lave-vaisselle. Le réservoir de sel est situé sous le panier du bas et doit être rempli selon la procédure suivante :

### AVERTISSEMENT


- **N'utilisez que du sel conçu spécialement pour les lave-vaisselle !**  
Tout autre type de sel non adapté au lave-vaisselle, en particulier le sel de table, risque d'endommager l'adoucisseur d'eau. Si l'appareil est endommagé suite à l'utilisation de sel non adapté, le fabricant ne fournit aucune garantie et ne saurait être tenu pour responsable des dommages causés.
- **Veillez à ajouter du sel uniquement avant un cycle de lavage.**  
Ceci permet d'empêcher que des grains de sel ou de l'eau salée éventuellement versés à côté demeurent dans le fond de l'appareil pendant une certaine durée, ce qui pourrait entraîner une corrosion de la surface

Pour ajouter le sel spécial lave-vaisselle, suivez la procédure ci-dessous :



1. Retirez le panier du bas et dévissez le couvercle du réservoir.
2. Positionnez l'extrémité de l'entonnoir (fourni) dans le trou et versez environ 1,5kg de sel pour lave-vaisselle.
3. Remplissez le réservoir de sel d'eau jusqu'à atteindre le niveau maximal. Il est normal qu'une petite quantité d'eau sorte du réservoir de sel.
4. Une fois le réservoir rempli, revissez le couvercle en serrant bien.
5. Une fois le réservoir de sel rempli, le voyant d'alerte du sel s'éteint.
6. Juste après avoir rempli le réservoir de sel, lancez un programme de lavage (nous recommandons un programme court) afin d'éviter que le système de filtration, la pompe ou tout autre composant important de l'appareil ne soit endommagé par l'eau salée. L'endommagement dû à l'eau salée n'est pas couvert par la garantie.

## REMARQUE :

- Le réservoir de sel ne doit être rempli que lorsque le voyant d'alerte du sel (  ) du bandeau de commandes s'allume. Selon la vitesse de dissolution du sel, il est possible que le voyant d'alerte du sel reste allumé même après le remplissage du réservoir. Si le bandeau de commandes ne dispose pas de voyant d'alerte du sel (sur certains modèles), vous pouvez déterminer quand ajouter du sel dans l'adoucisseur en fonction du nombre de cycles exécutés par le lave-vaisselle.
- Si vous avez versé du sel à côté du réservoir, lancez un programme de trempage ou un programme rapide pour l'éliminer.

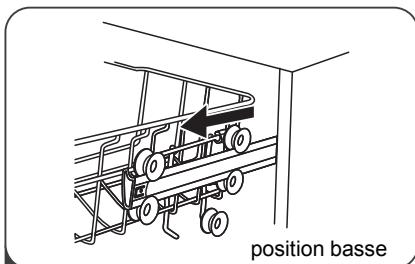
# Conseils d'utilisation des paniers

## Réglage du panier du haut

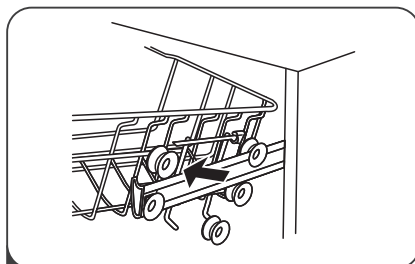
### Type 1:

Vous pouvez aisément régler la hauteur du panier du haut pour l'adapter à des plats plus grands disposés dans le panier du haut ou celui du bas.

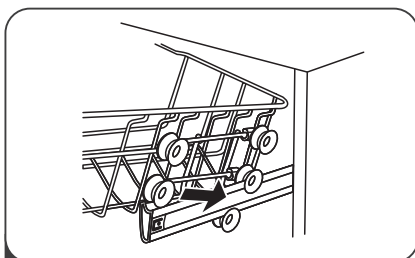
Pour régler la hauteur du panier du haut, suivez les étapes ci-dessous :



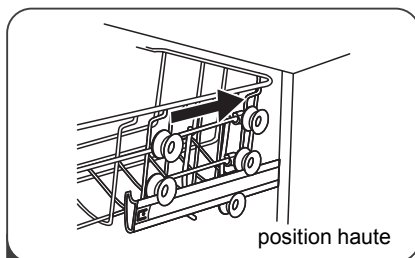
1 Sortez le panier du haut.



2 Retirez le panier du haut.

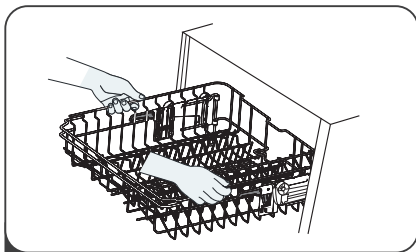


3 Remettez en place le panier du haut sur la coulisse supérieure ou inférieure.

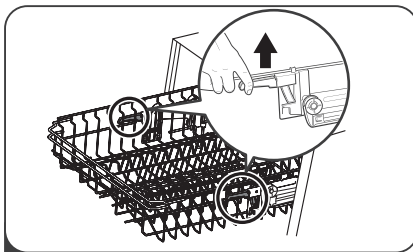


4 Rentrez le panier du haut.

## Type 2:



- 1 Pour relever le panier supérieur, soulevez le panier au centre de chaque côté jusqu'à ce que le panier se verrouille en position haute. Il n'est pas nécessaire de soulever la poignée de réglage.



- 2 Pour abaisser le panier supérieur, soulevez les poignées de réglage de chaque côté pour relâcher le panier et l'abaisser en position basse.

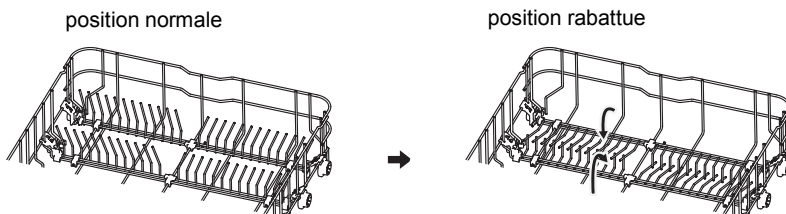
## Rabattre les supports-tasses

Pour libérer de la place pour les éléments plus grands dans le panier du haut, rabattez le support à tasses vers le haut. Vous pouvez poser les grands verres contre ce support. Vous pouvez également le retirer lorsque vous n'en avez plus l'utilité.



## Rabattre les tiges

Les tiges du panier du bas permettent de déposer les assiettes et les plateaux. Vous pouvez les rabattre afin de libérer de la place pour les plats plus grands.



# ENTRETIEN ET NETTOYAGE

## Entretien extérieur

### Porte et joint de porte

Nettoyez régulièrement les joints de porte à l'aide d'un chiffon humide non abrasif pour retirer les résidus alimentaires. Lorsque vous remplissez votre lave-vaisselle, il arrive que des résidus alimentaires ou liquides tachent les côtés de la porte de l'appareil. Ces surfaces se trouvent à l'extérieur de la zone de lavage et sont hors de portée de l'eau propulsée par les bras d'aspersion. Il convient d'essuyer les éventuels dépôts avant de fermer la porte.

### Bandeau de commande

Pour nettoyer le bandeau de commande, essuyez-le uniquement avec un chiffon humide non abrasif.

#### **AVERTISSEMENT !**

- Pour éviter que l'eau ne pénètre dans le dispositif de fermeture de la porte et les composants électroniques, n'utilisez jamais de produits nettoyants en spray.
- N'utilisez jamais de nettoyeurs abrasifs ou d'éponges à récurer sur les surfaces extérieures, car cela risquerait de rayer le revêtement. Certains essuie-tout peuvent également rayer la surface ou y laisser des marques.

## Entretien intérieur

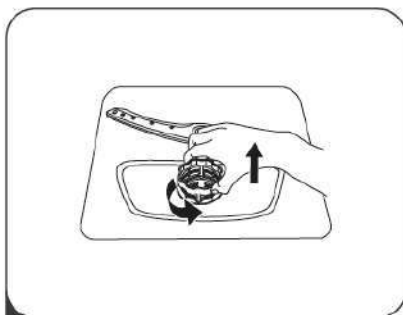
### Système de filtration

Le système de filtration situé en bas de l'appareil retient les gros débris pendant le cycle de lavage. Les résidus collectés peuvent boucher les filtres. Vérifiez régulièrement l'état des filtres (chaque mois) et nettoyez-les si nécessaire en les passant sous l'eau. Suivez la procédure ci-dessous pour nettoyer les filtres de la zone de lavage.

#### **REMARQUE :**

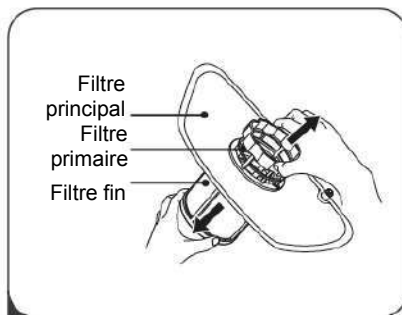
Les illustrations sont uniquement fournies à titre indicatif, les différents modèles de systèmes de filtration et de bras d'aspersion peuvent varier.





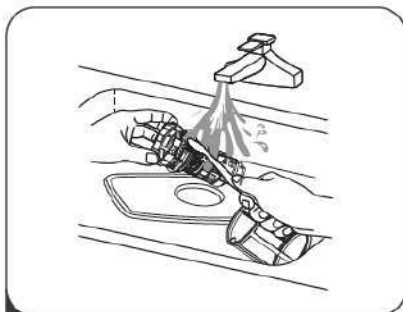
1

Tenez le filtre primaire et tournez-le dans le sens antihoraire pour le déverrouiller. Soulevez le filtre, puis sortez-le du lave-vaisselle.



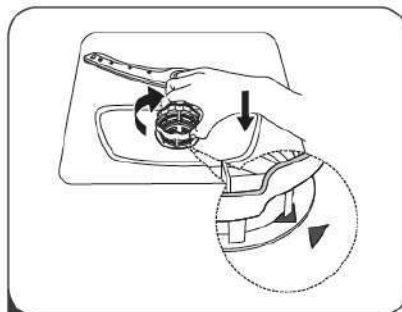
2

Vous pouvez retirer le filtre fin situé en bas du dispositif de filtration. Démontez le filtre primaire du filtre principal en appuyant délicatement sur les languettes situées en haut avant de retirer le filtre.



3

Rincez le filtre sous l'eau du robinet pour en retirer les principaux résidus alimentaires. Pour un nettoyage plus efficace, utilisez une brosse de nettoyage non abrasive.



4

Remontez les filtres en suivant les étapes de démontage dans l'ordre inverse, replacez le dispositif de filtration et tournez-le dans le sens horaire jusqu'à la flèche de fermeture.

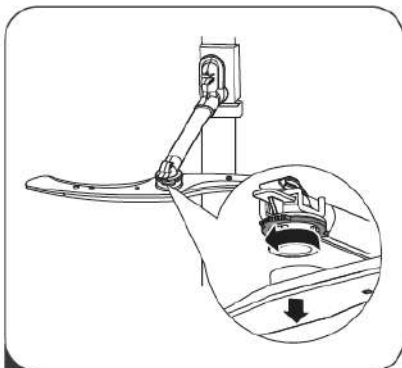
### **⚠ AVERTISSEMENT !**

- Ne serrez pas excessivement les filtres. Remontez les filtres dans l'ordre en vissant bien pour éviter que de gros résidus ne pénètrent dans le système et n'entraînent un blocage.
- N'utilisez jamais le lave-vaisselle sans les filtres. Un filtre mal remis en place peut réduire le niveau de performance de l'appareil et endommager votre vaisselle.

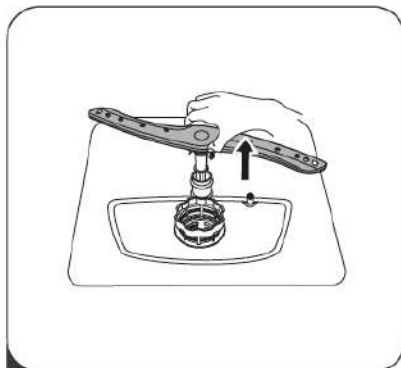
## Bras d'aspersion

Il est nécessaire de nettoyer les bras d'aspersion régulièrement afin d'éviter que les particules chimiques de l'eau dure ne bouchent les buses et les roulements des bras d'aspersion.

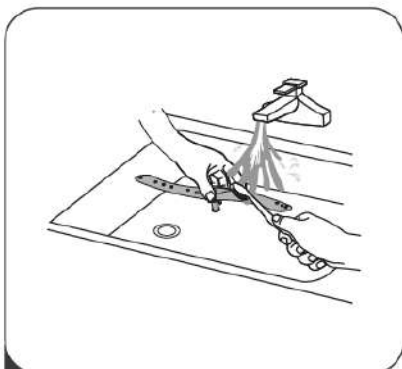
Pour nettoyer les bras d'aspersion, suivez les consignes ci-dessous :



- 1** Pour retirer le bras d'aspersion supérieur, maintenez l'écrou et faites tourner le bras dans le sens des aiguilles d'une montre.



- 2** Pour retirer le bras d'aspersion inférieur, tirez-le vers le haut.



- 3** Lavez les bras dans de l'eau tiède et savonneuse et nettoyez les buses à l'aide d'une brosse souple. Rincez-les complètement, puis remettez-les en place.

# **Entretien du lave-vaisselle**

---

## **Précautions antigivre**

Pensez à prendre des mesures de protection contre le givre pour votre lave-vaisselle en hiver. Après chaque cycle de lavage, suivez la procédure ci-dessous :

1. Mettez le lave-vaisselle hors tension au niveau de la source d'alimentation.
2. Coupez l'arrivée d'eau et débranchez le tuyau d'arrivée d'eau du robinet d'alimentation.
3. Vidangez l'eau du tuyau d'arrivée d'eau et du robinet d'eau. (Servez-vous d'une casserole pour récupérer l'eau)
4. Rebranchez le tuyau d'arrivée d'eau au robinet d'alimentation.
5. Retirez le filtre au fond de la cuve et épongez l'eau résiduelle dans le bassin.

## **Après chaque lavage**

Après chaque lavage, coupez l'arrivée d'eau et laissez la porte légèrement ouverte afin que l'humidité et les odeurs puissent s'échapper.

## **Débrancher la prise**

Débranchez la prise avant toute opération de nettoyage ou de maintenance.

## **Nettoyage sans solvants ni produits abrasifs**

Pour nettoyer l'extérieur et les pièces en caoutchouc de votre lave-vaisselle, n'utilisez ni solvants, ni produits de nettoyage abrasifs. Tenez-vous-en à un chiffon imbibé d'eau tiède et savonneuse.

Pour éliminer les traces présentes sur les surfaces internes, utilisez un chiffon humidifié à l'eau avec un peu de vinaigre ou un produit de nettoyage spécifiquement conçu pour les lave-vaisselle.

## **En cas de non-utilisation prolongée**

Il est recommandé de lancer un cycle de lavage à vide, puis de débrancher la prise, de couper l'arrivée d'eau et de laisser la porte légèrement entrouverte. Ceci permettra d'optimiser la durée de vie des joints de porte et d'empêcher la formation d'odeurs à l'intérieur de l'appareil.

## **Déplacer l'appareil**

Si vous devez déplacer l'appareil, essayez de le maintenir en position verticale. En cas de nécessité absolue, vous pouvez le positionner sur l'arrière.

## **Joints**

L'un des facteurs qui favorisent la formation d'odeurs dans le lave-vaisselle est la présence de résidus alimentaires dans les joints. Un nettoyage régulier des joints à l'aide d'une éponge humide permettra d'éviter ce phénomène.

# CONSIGNES D'INSTALLATION



## Risque d'électrocution

Coupez l'électricité avant d'installer le lave-vaisselle.

Le non-respect de cette consigne peut entraîner un risque de décès ou d'électrocution.

## ⚠ Attention

Le raccordement des tuyaux et des équipements électriques doit être effectué par des professionnels.

## À propos du raccordement électrique

- Pour votre sécurité :
- N'utilisez pas de rallonge ou d'adaptateur avec cet appareil.
- Quelles que soient les circonstances, veillez à ne jamais couper ou retirer les branchements de mise à la terre.

## Alimentation électrique

Référez-vous à la plaque signalétique de l'appareil pour connaître la tension requise afin de brancher votre lave-vaisselle à une source d'alimentation adaptée. Utilisez le fusible 10 A/13 A/16 A, le fusible temporisé ou le disjoncteur recommandés et aménagez un circuit distinct réservé à cet appareil.

## Raccordement électrique

Vérifiez que la tension et la fréquence de l'alimentation correspondent à la plaque signalétique. Veillez à ne brancher la prise au secteur qu'une fois la mise à la terre assurée. Si la prise électrique à laquelle l'appareil doit être branché n'est pas adaptée, remplacez-la plutôt que d'utiliser un adaptateur ou autre dispositif, lesquels pourraient entraîner une surchauffe et des brûlures.

**⚠ Assurez-vous que le branchement est équipé d'une mise à la terre avant d'utiliser votre lave-vaisselle.**

# • Arrivée d'eau et vidange

## Raccordement à l'eau froide

Raccordez le tuyau d'arrivée d'eau froide à un raccord fileté 3/4 et assurez-vous qu'il soit bien serré.

Si vos tuyaux d'eau sont neufs ou n'ont pas été utilisés pendant une durée importante, laissez d'abord couler l'eau pour vous assurer qu'elle soit claire. Cette précaution est nécessaire pour éviter le risque que l'arrivée d'eau soit bloquée et endommage l'appareil.



Tuyau d'arrivée d'eau ordinaire



Tuyau d'arrivée d'eau sécurisé

## À propos du tuyau d'arrivée d'eau sécurisé

Le tuyau d'arrivée d'eau sécurisé a une double paroi. Ce système intervient en bloquant l'arrivée d'eau si le tuyau est endommagé ou que le sas d'air situé entre le tuyau d'arrivée d'eau et le flexible extérieur est rempli d'eau.

### AVERTISSEMENT

Un tuyau fixé à un robinet pulvérisateur peut exploser s'il est installé sur la même arrivée d'eau que le lave-vaisselle. Si votre évier en est équipé, nous vous recommandons de démonter le tuyau et d'obstruer l'ouverture.

## Comment raccorder le tuyau d'arrivée d'eau sécurisé

1. Retirez complètement les flexibles fournis du compartiment de stockage situé à l'arrière du lave-vaisselle.
2. Vissez le flexible d'arrivée au robinet à l'aide d'un raccord fileté 3/4.
3. Ouvrez entièrement l'arrivée d'eau avant de démarrer le lave-vaisselle.

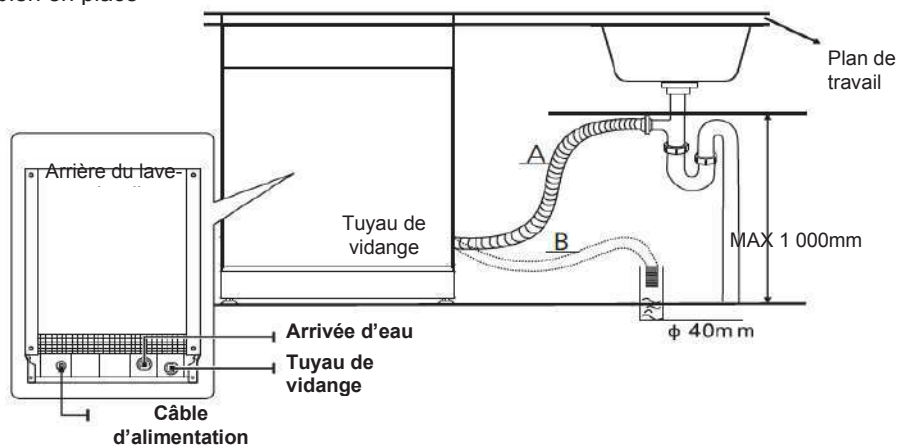
## Comment démonter le tuyau d'arrivée d'eau sécurisé

1. Coupez l'eau.
2. Dévissez le tuyau d'arrivée d'eau sécurisé du robinet.

## Raccordement du tuyau de vidange

Insérez le tuyau de vidange dans un conduit d'évacuation de diamètre 4 cm minimum, ou laissez-le couler dans l'évier en veillant à éviter de le plier ou de le pincer. La hauteur du conduit d'évacuation doit être inférieure à 1 000 mm. Afin d'éviter tout refoulement, l'extrémité du tuyau ne doit pas être immergée dans l'eau.

⚠ Veuillez fixer le tuyau de vidange en position A ou B de manière à ce qu'il tienne bien en place



### Comment évacuer l'excédent d'eau des tuyaux

Si l'évier est situé à plus de 1 000 mm du sol, l'excédent d'eau demeurant dans les tuyaux ne peut être évacué directement dans l'évier. Il sera nécessaire d'évacuer l'excédent d'eau dans un bol ou un autre récipient adapté maintenu à l'extérieur et à un niveau inférieur à celui de l'évier.

### Sortie d'eau

Raccordez le tuyau de vidange. Le tuyau de vidange doit être correctement installé pour éviter toute fuite d'eau. Assurez-vous que le tuyau de vidange n'est ni plié, ni écrasé.

### Tuyau de rallonge

Si vous avez besoin d'un tuyau de rallonge pour la vidange, veillez à bien utiliser un tuyau similaire.

Celui-ci ne doit pas excéder 4 mètres de longueur, à défaut de quoi la performance du lave-vaisselle pourrait être réduite.

### Raccordement du siphon

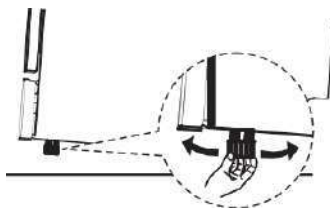
Le raccordement à l'évacuation doit se situer à moins de 100 cm de hauteur (maximum) par rapport au bas du lave-vaisselle. Le tuyau de vidange doit être fixé.

# Positionnement de l'appareil

Installez l'appareil dans le lieu souhaité. L'arrière de l'appareil doit être placé contre le mur, et les parois latérales contre les parois ou murs adjacents. Le lave-vaisselle est équipé de tuyaux d'arrivée d'eau et de vidange qui peuvent être positionnés aussi bien à gauche qu'à droite de l'appareil afin de faciliter son installation.

## Mise à niveau de l'appareil

Une fois l'appareil installé à l'emplacement prévu, vous pouvez ajuster la hauteur du lave-vaisselle en réglant le niveau des pieds. Dans tous les cas, l'appareil ne doit pas être incliné à plus de 2°.



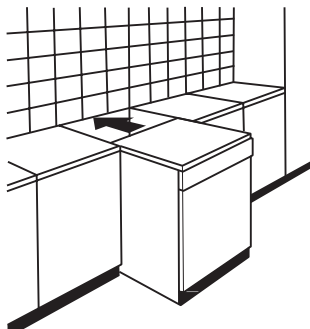
## REMARQUE :

Uniquement applicable aux appareils installés sur pied.

# Installation sur pied

## Installation entre des placards

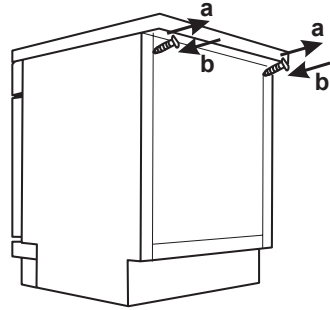
La hauteur de ce lave-vaisselle, 845 mm, est prévue pour permettre son installation entre des placards de même hauteur dans les cuisines équipées modernes. Les pieds peuvent être réglés afin d'atteindre la hauteur souhaitée. Le panneau supérieur stratifié ne requiert aucun entretien spécifique, car il résiste à la chaleur et a une protection anti-rayure et anti-tache.



## Installation sous un plan de travail

(En cas d'installation sous un plan de travail existant)

La plupart des cuisines équipées modernes ont un seul plan de travail sous lequel sont installés les placards et les appareils électroménagers. Dans ce cas, retirez le panneau supérieur du lave-vaisselle en dévissant les vis situées sous le rebord arrière (a).



### ⚠ Attention

Après avoir retiré le panneau supérieur, revissez les vis sous le rebord arrière (b).

La hauteur du lave-vaisselle est alors de 815 mm, conformément aux réglementations internationales (normes ISO), ce qui correspond parfaitement à la hauteur du plan de travail de la cuisine.

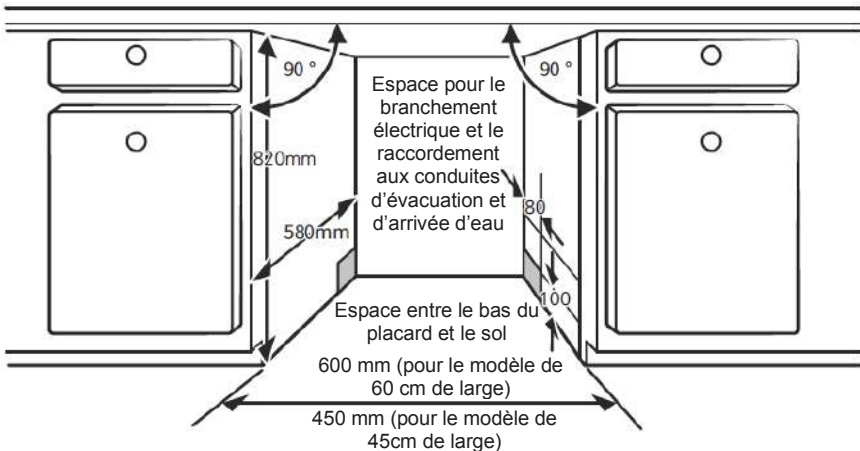
## • Encastrement (pour le modèle encastré)

### Étape 1. Sélection de l'emplacement le plus adapté au lave-vaisselle

Le lave-vaisselle doit être installé à proximité des conduites d'arrivée et d'évacuation de l'eau ainsi que de l'alimentation électrique.

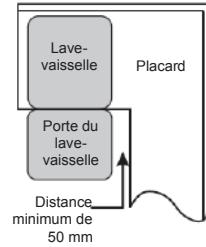
Illustrations des dimensions du lieu d'installation et de la position d'installation du lave-vaisselle.

1. Moins de 5 mm entre le haut du lave-vaisselle et le plan de travail ; paroi extérieure alignée sur les placards.





2. Si le lave-vaisselle est installé près d'un angle, prévoyez une distance de sécurité pour l'ouverture de la porte.



## REMARQUE :

En fonction de l'emplacement de votre prise électrique, il est possible que vous deviez découper une ouverture dans la paroi latérale du placard adjacent.

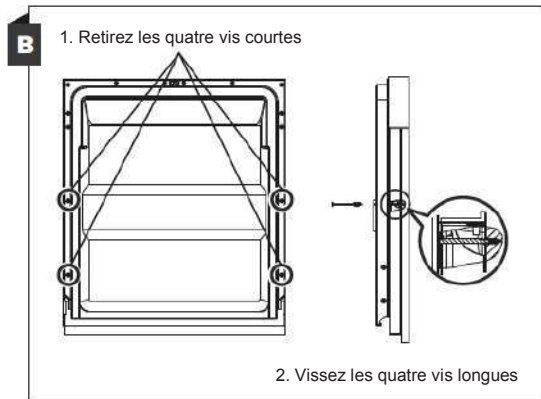
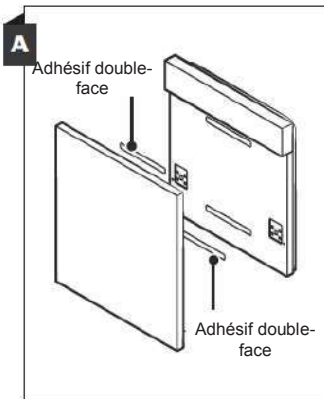
## Étape 2. Dimensions et installation du panneau d'habillage



**Le panneau d'habillage en bois doit être découpé aux dimensions indiquées sur le schéma d'installation.**

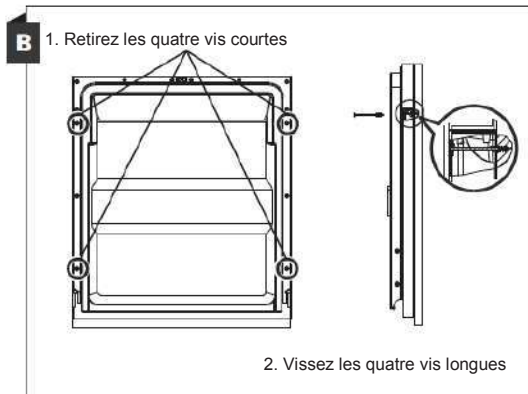
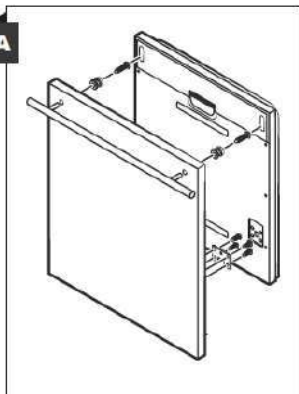
### Modèle semi-intégrable

Séparez les faces A et B de l'adhésif double-face, collez la face A sur le panneau d'habillage en bois et la face B feutrée sur la porte extérieure du lave-vaisselle (cf. figure A). Après avoir positionné le panneau, fixez-le à la porte à l'aide des vis et des écrous (cf. figure B).



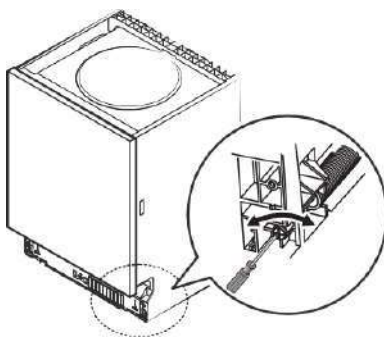
## Modèle intégrable

Installez le crochet sur le panneau d'habillage en bois et insérez-le dans la fente de la porte du lave-vaisselle (cf. figure A). Après avoir positionné le panneau, fixez-le à la porte à l'aide des vis et des écrous (cf. figure B).



## Étape 3. Réglage de la tension du ressort de porte

1. Les ressorts de porte sont réglés en usine à une tension adaptée à la porte extérieure. En cas d'installation d'un panneau d'habillage en bois, vous devrez régler la tension du ressort de porte. Faites tourner la vis de réglage afin de tendre ou de relâcher le câble en acier.
2. La tension du ressort de porte est idéale lorsque la porte demeure à l'horizontale quand elle est entièrement ouverte, mais se relève pour se fermer d'une légère pression du doigt.

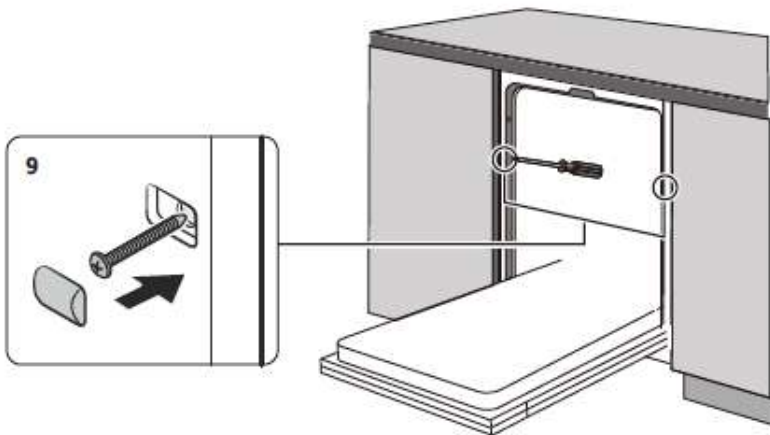


## Étape 4. Étapes d'installation du lave-vaisselle



**Veillez vous reporter aux étapes d'installation indiquées sur les schémas d'installation.**

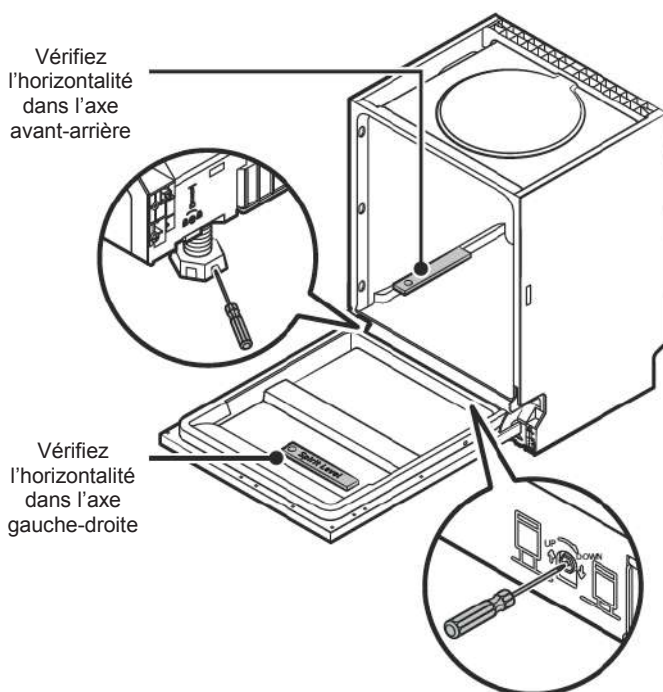
1. Fixez la bande de condensation sous le plan de travail. Veillez à ce que la bande de condensation soit alignée sur le bord du plan de travail. (Étape 2)
2. Raccordez le tuyau d'arrivée d'eau au conduit d'arrivée d'eau froide.
3. Raccordez le tuyau d'évacuation.
4. Branchez le câble d'alimentation.
5. Mettez le lave-vaisselle à l'emplacement souhaité. (Étape 4)
6. Mettez le lave-vaisselle à niveau. Vous pouvez régler le pied arrière depuis l'avant du lave-vaisselle en tournant la vis cruciforme située au milieu de la base du lave-vaisselle à l'aide d'un tournevis cruciforme. Pour ajuster le pied avant, tournez-le à l'aide d'un tournevis plat jusqu'à ce que le lave-vaisselle soit à niveau. (Étape 5 à Étape 6)
7. Installez le panneau d'habillage sur la porte extérieure du lave-vaisselle. (Étape 7 à Étape 10)
8. Réglez la tension des ressorts de porte à l'aide d'une clé Allen en tournant dans le sens des aiguilles d'une montre pour resserrer les ressorts de porte gauche et droite. Le non-respect de cette consigne pourrait endommager votre lave-vaisselle. (Étape 11)
9. Le lave-vaisselle doit être correctement fixé. Fixez le panneau latéral à l'aide de vis.



## Étape 5. Mise à niveau du lave-vaisselle

Le lave-vaisselle doit être mis à niveau afin d'assurer le bon fonctionnement des paniers à vaisselle et les performances de lavage.

1. Placez un niveau à bulle sur la porte et la glissière du panier à l'intérieur de la cuve, conformément à l'illustration, afin de vérifier que le lave-vaisselle est horizontal.
2. Mettez le lave-vaisselle à niveau en ajustant individuellement les trois pieds de réglage.
3. Lors de la mise à niveau, veillez à ce que le lave-vaisselle ne se renverse pas.



### REMARQUE :

La hauteur de réglage maximum des pieds est de 50 mm.

# GUIDE DE DÉPANNAGE

## Avant de faire appel à un technicien

Vous référer aux tableaux suivants peut vous éviter de devoir appeler un technicien.

Problème	Causes possibles	Que faire ?
Le lave-vaisselle ne démarre pas	Un fusible ou le disjoncteur a sauté.	Changez le fusible ou rétablissez le disjoncteur. Débranchez tous les autres appareils électriques branchés sur le même circuit que votre lave-vaisselle.
	L'appareil n'est pas sous tension.	Vérifiez que le lave-vaisselle est sous tension et que la porte est bien fermée. Vérifiez que le câble d'alimentation est bien branché à la prise secteur.
	La pression de l'eau est faible	Vérifiez que l'arrivée d'eau est bien raccordée et que le robinet est ouvert.
	La porte du lave-vaisselle n'est pas bien fermée.	Assurez-vous de bien fermer la porte et de bien fermer le loquet.
Le lave-vaisselle ne pompe pas d'eau	Le tuyau de vidange est tordu ou coincé.	Vérifiez l'état du tuyau de vidange
	Le filtre est bouché.	Vérifiez l'état du filtre primaire.
	L'évier est bouché.	Vérifiez l'état de l'évier de votre cuisine afin de vous assurer qu'il n'est pas bouché. Si l'eau de votre évier ne s'évacue pas correctement, il est probable que vous deviez faire appel à un plombier plutôt qu'à un technicien spécialisé dans les lave-vaisselle.
Mousse dans la cuve	Le détergent n'est pas adapté.	Utilisez uniquement du détergent spécial lave-vaisselle pour éviter la mousse. Le cas échéant, ouvrez le lave-vaisselle et laissez la mousse s'évaporer. Ajoutez 4 litres d'eau froide en bas du lave-vaisselle. Fermez la porte du lave-vaisselle, puis sélectionnez n'importe quel cycle. Le lave-vaisselle commence

<b>Problème</b>	<b>Causes possibles</b>	<b>Que faire ?</b>
		par vidanger l'eau. Ouvrez la porte une fois la vidange terminée et vérifiez que la mousse a bien disparu. Renouvelez l'opération si nécessaire.
	Du produit de rinçage a été renversé.	Nettoyez toujours immédiatement le produit de rinçage renversé.
Intérieur de la cuve taché	Du détergent contenant du colorant a été utilisé.	Vérifiez que le détergent utilisé ne comporte aucun colorant.
Pellicule blanche sur les surfaces internes	Il s'agit de minéraux présents dans l'eau dure.	Pour nettoyer les parois internes, utilisez une éponge humide avec du détergent pour lave-vaisselle et veillez à porter des gants en caoutchouc. N'utilisez jamais d'autres produits que ceux qui sont destinés aux lave-vaisselle afin d'éviter tout risque de formation de mousse.
Taches de rouille sur les couverts	Les couverts tachés ne sont pas résistants à la corrosion.	Évitez de placer dans le lave-vaisselle des couverts qui ne résistent pas à la corrosion.
	Aucun programme n'a été lancé après l'ajout du sel pour lave-vaisselle. Des traces de sel se sont mêlées au cycle de lavage.	Lancez toujours un programme de lavage à vide après avoir ajouté du sel. Ne sélectionnez pas la fonction Turbo (si celle-ci est disponible) après avoir ajouté du sel.
	Le couvercle de l'adoucisseur n'est pas bien fermé.	Vérifiez que le couvercle de l'adoucisseur est bien fermé.
Bruits de choc dans le lave-vaisselle	Un des bras d'aspersion se heurte contre l'un des ustensiles présents dans le panier situé en-dessous.	Mettez le programme en pause et réorganisez les ustensiles qui bloquent le bras d'aspersion.

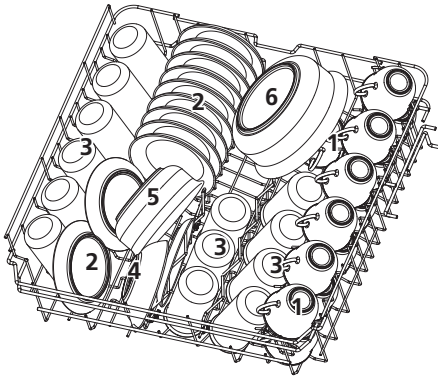
<b>Problème</b>	<b>Causes possibles</b>	<b>Que faire ?</b>
Cliquetis dans le lave-vaisselle	Des couverts ont été renversés dans le lave-vaisselle.	Mettez le programme en pause et réorganisez la disposition de vos couverts.
Bruits de choc dans les conduits d'eau	Ceci peut être dû à l'installation sur place ou aux sections des conduits.	Ceci n'a aucun impact sur la performance du lave-vaisselle. Si vous avez des doutes, faites appel à un plombier qualifié.
La vaisselle n'est pas propre	La vaisselle n'a pas été correctement placée dans le lave-vaisselle.	Reportez-vous à la PARTIE II « Préparation et chargement de la vaisselle ».
	Le programme choisi n'était pas assez puissant.	Sélectionnez un programme plus intensif.
La vaisselle n'est pas propre.	La quantité de détergent n'était pas suffisante.	Ajoutez plus de détergent ou changez de détergent.
	Des ustensiles bloquent la course des bras d'aspersion.	Réorganisez la disposition de vos ustensiles afin que les bras d'aspersion puissent tourner librement.
	Le dispositif de filtration n'est pas propre ou n'est pas correctement fixé à la base du lave-vaisselle. Ceci peut entraîner l'obstruction des buses des bras d'aspersion.	Nettoyez et/ou remplacez correctement le dispositif de filtration. Nettoyez les bras d'aspersion.
Verres troubles.	Association d'une eau douce avec trop de détergent.	Utilisez moins de détergent si vous avez une eau douce, et sélectionnez un cycle plus court pour laver les verres et les rendre plus propres.

<b>Problème</b>	<b>Causes possibles</b>	<b>Que faire ?</b>
Taches blanches sur les ustensiles et les verres.	Une eau dure peut entraîner des dépôts de calcaire.	Ajoutez du détergent.
Traces noires ou grises sur la vaisselle	Des ustensiles en aluminium ont frotté contre votre vaisselle	Nettoyez la vaisselle à l'aide d'un produit abrasif doux pour éliminer les traces.
Résidu de détergent dans le bac	Des ustensiles bloquent le bac à détergent	Réorganisez la disposition de votre vaisselle.
La vaisselle n'est pas sèche	Mauvaise disposition des ustensiles	Respectez les consignes de remplissage du lave-vaisselle.
	La vaisselle a été sortie trop tôt	Ne videz pas votre lave-vaisselle immédiatement après le cycle de lavage. Ouvrez légèrement la porte pour que la vapeur puisse s'échapper. Attendez que la température intérieure du lave-vaisselle ait suffisamment baissé pour retirer la vaisselle. Videz en priorité le panier du bas afin d'éviter que l'eau du panier du haut ne coule dessus.
La vaisselle n'est pas sèche	Le programme choisi n'était pas adapté.	Avec un programme court, la température de lavage est moins importante, ce qui réduit la performance de lavage. Choisissez un programme de longue durée.
	Les couverts présentent un revêtement de mauvaise qualité.	L'évacuation de l'eau est plus difficile sur les revêtements de mauvaise qualité. Les couverts ou plats de ce type ne sont pas adaptés au lavage en lave-vaisselle.



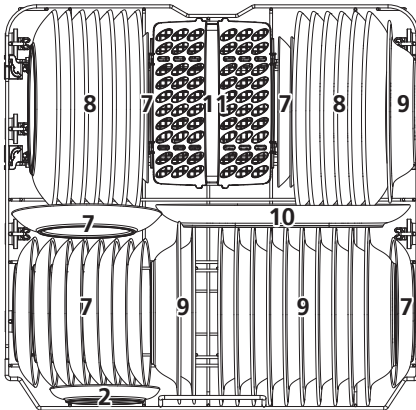
# PROCÉDURE DE REPLISSAGE DES PANIERS SELON LA NORME EN 50242 :

## 1. Panier du haut :



Numéro	Type de vaisselle
1	Tasses
2	Soucoupes
3	Verres
4	Petits bols de service
5	Moyens bols de service
6	Grands saladiers de service

## 2. Panier du bas :

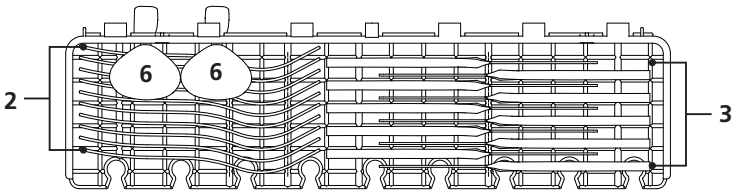


Numéro	Type de vaisselle
7	Assiettes à dessert
8	Assiettes plates
9	Assiettes creuses
10	Plateaux ovales
11	Panier à couverts

### ⚠ Attention

Le non-respect du plan de chargement pourrait entraîner une mauvaise qualité de lavage.

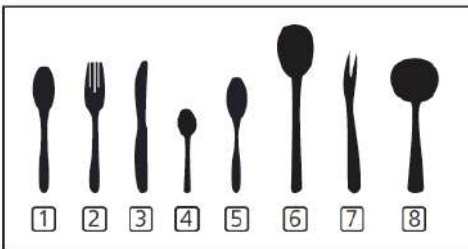
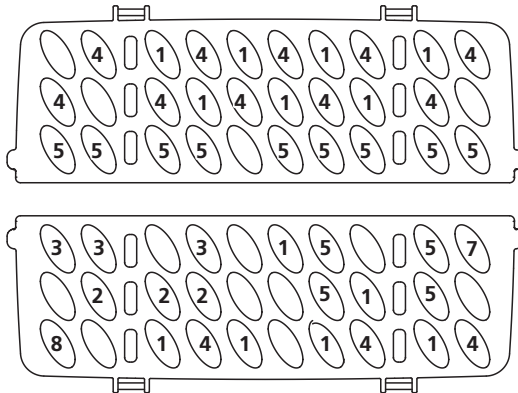
### 3. Tiroir à couverts :



#### ☛ REMARQUE :

placez les ustensiles plats et légers sur l'étagère. Le poids total est inférieur à 1,5 kg.

### 4. Panier à couverts : → IN



Numéro	Type de vaisselle
1	Cuillères à soupe
2	Fourchettes
3	Couteaux
4	Cuillères à thé
5	Cuillères à dessert
6	Cuillères à servir
7	Fourchettes à servir
8	Cuillères à sauce

Informations destinées aux tests de comparabilité selon la norme EN 50242 :

Capacité : 13 couverts

Position du panier du haut : basse

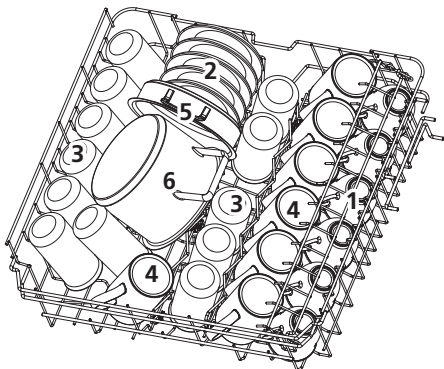
Programme : ECO

Nombre de modes avec distribution du produit de rinçage : position 5

Réglage de l'adoucisseur : H3

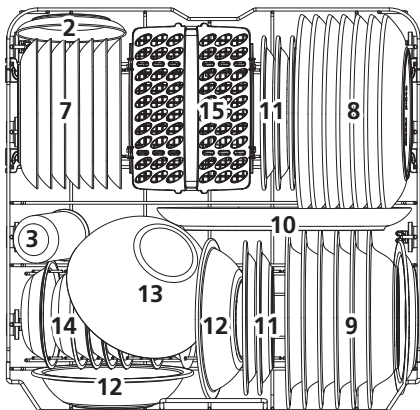
# PROCÉDURE DE REPLISSAGE DES PANIERS SELON LA NORME EN60436 :

## 1. Panier du haut :



Numéro	Type de vaisselle
1	Tasses
2	Soucoupes
3	Verres
4	Grandes tasses
5	Marmite
6	Petite casserole

## 2. Panier du bas :

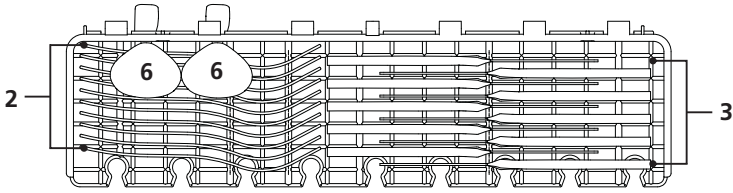


Numéro	Type de vaisselle
7	Assiettes à dessert
8	Assiettes plates
9	Assiettes creuses
10	Plat ovale
11	Assiettes à dessert en mélamine
12	Bols en mélamine
13	Bol en verre
14	Bols à dessert
15	Panier à couverts

### ⚠ Attention

Le non-respect du plan de chargement pourrait entraîner une mauvaise qualité de lavage.

### 3. Tiroir à couverts :

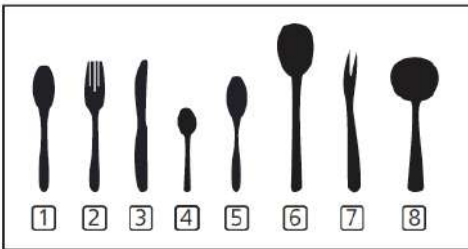
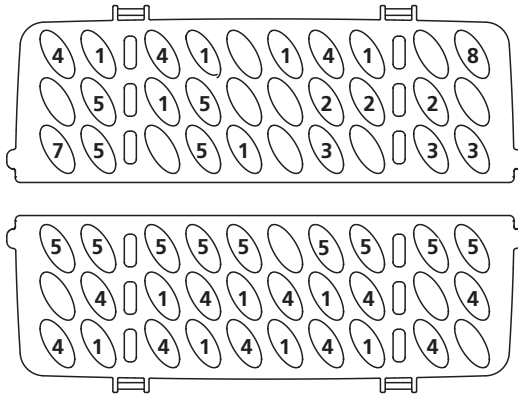


#### REMARQUE :

placez les ustensiles plats et légers sur l'étagère. Le poids total est inférieur à 1,5 kg.

### 4. Panier à couverts :

IN ←



Numéro	Type de vaisselle
1	Cuillères à soupe
2	Fourchettes
3	Couteaux
4	Cuillères à thé
5	Cuillères à dessert
6	Cuillères à servir
7	Fourchettes à servir
8	Cuillères à sauce

Informations destinées aux tests de comparabilité selon la norme EN 60436 :

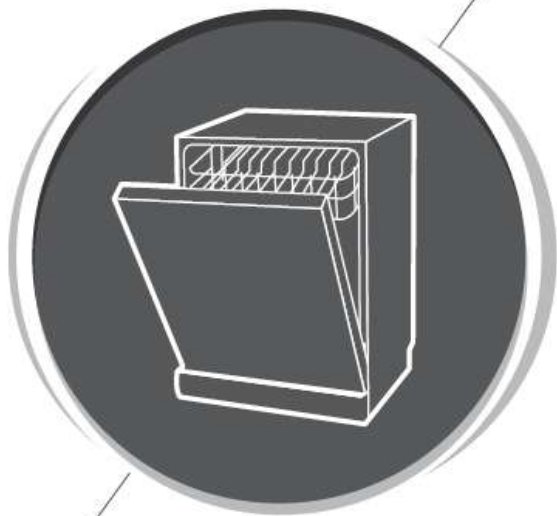
Capacité : 13 couverts

Position du panier du haut : basse

Programme : ECO

Nombre de modes avec distribution du produit de rinçage : position 5

Réglage de l'adoucisseur : H3



# **Lave-vaisselle**

## **Mode d'emploi**

**PARTIE II : Version spéciale**

# TABLE DES MATIÈRES

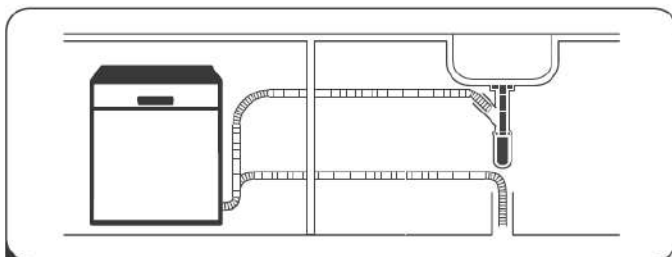
01	<b>4 UTILISATION DE VOTRE LAVE-VAISSELLE</b>
	4 Bandeau de commande
	6 Adoucisseur d'eau
	7 Préparation et chargement de la vaisselle
	10 Fonction du produit de rinçage et du détergent
	11 Remplissage du bac à produit de rinçage
	12 Remplissage du bac à détergent
02	<b>13 PROGRAMMATION DU LAVE-VAISSELLE</b>
	13 Tableau des cycles de lavage
	14 Comment lancer un cycle de lavage
	14 Comment changer de programme en cours de cycle
	15 Un plat à rajouter ?
03	<b>16 CODES D'ERREUR</b>
04	<b>17 INFORMATIONS TECHNIQUES</b>

## REMARQUE :

- Si vous ne pouvez pas remédier vous-même au problème, faites appel à un technicien professionnel.
- Conformément à sa politique d'évolution et de mise à jour constantes du produit, le fabricant est susceptible d'y apporter des modifications sans préavis.
- Si vous perdez ce mode d'emploi ou que celui-ci n'est plus à jour, vous pouvez en obtenir un nouveau auprès du fabricant ou du fournisseur responsable.

# GUIDE DE PRISE EN MAIN

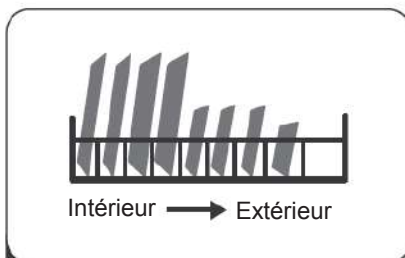
Pour en savoir plus sur le fonctionnement de l'appareil, veuillez lire la section correspondante du mode d'emploi.



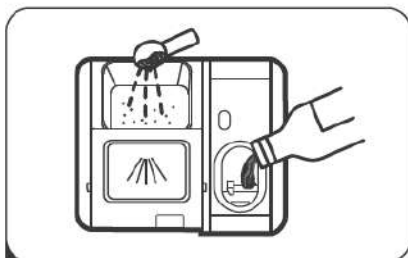
- 1 Installez le lave-vaisselle  
(Veuillez vous reporter à la section 5 « CONSIGNES D'INSTALLATION » de la PARTIE I : Version générique).



- 2 Retirez les principaux résidus alimentaires de votre vaisselle



- 3 Déposez la vaisselle sale



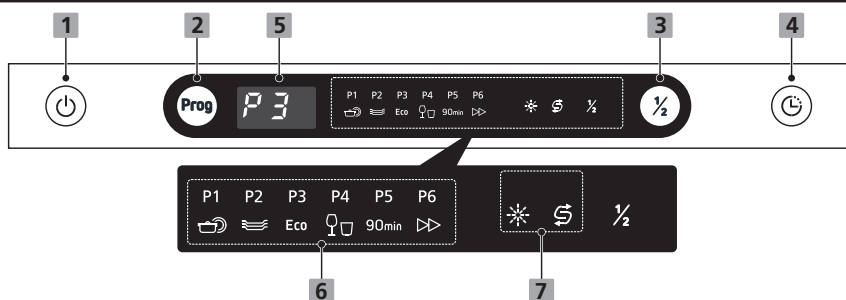
- 4 Remplissez le bac à détergent



- 5 Sélectionnez un programme et mettez le lave-vaisselle en marche.

# GUIDE DE PRISE EN MAIN



## Bandeau de commande



### Fonction (Bouton)





<b>1</b> Marche/Arrêt	Appuyez sur ce bouton pour allumer votre lave-vaisselle.
<b>2</b> Programme	Sélectionnez le programme de lavage souhaité. Le voyant correspondant s'allume.
<b>3</b> Demi-charge	Si vous avez environ 6 couverts ou moins à laver, sélectionnez cette fonction pour économiser de l'eau et de l'énergie. (Cette fonction est uniquement compatible avec les programmes Intensif, ECO et 90 min.)
<b>4</b> Départ différé	Appuyez sur le bouton Départ différé pour retarder le démarrage du cycle. Vous pouvez différer un cycle jusqu'à 24 h par pas d'une heure.

### Affichage

<b>5</b> Écran	Indique le temps restant, le délai avant le départ différé, les codes d'erreur, etc.
<b>6</b> Indicateur de programme	<p> <b>Intensif</b> Pour la vaisselle très sale et les casseroles, poêles, plats, etc. présentant un niveau de saleté normal, avec des résidus séchés.</p> <p> <b>Universel</b> Pour la vaisselle présentant un niveau de saleté normal, notamment les casseroles, assiettes, verres et poêles légèrement sales.</p>



## Affichage

<b>6</b> Indicateur de programme	<p><b>Eco ECO</b> Ce programme standard convient à la vaisselle présentant un niveau de saleté normal. Il s'agit du programme le plus efficace en termes de consommation d'énergie et d'eau pour ce type de vaisselle.</p> <p> <b>Verre</b> Pour la vaisselle et les verres légèrement sales.</p> <p><b>90min 90 min</b> Pour la vaisselle présentant un niveau de saleté normal et nécessitant un lavage rapide.</p> <p> <b>Rapide</b> Un cycle court pour la vaisselle légèrement sale qui n'a pas besoin de séchage.</p>
<b>7</b> Voyants d'alerte	<p> <b>Produit de rinçage</b> Si le voyant « * » est allumé, cela signifie que le niveau de produit de rinçage du lave-vaisselle est trop bas et qu'il faut en ajouter.</p> <p> <b>Sel</b> Si le voyant « \$ » est allumé, cela signifie que le niveau de sel du lave-vaisselle est trop bas et qu'il faut en ajouter.</p>

### ⚠ Attention

- Le pré-rinçage manuel de la vaisselle augmente la consommation d'énergie et d'eau et n'est pas recommandé.
- Laver la vaisselle au moyen d'un lave-vaisselle consomme généralement moins d'énergie et d'eau en fonctionnement que de laver la vaisselle à la main quand le lave-vaisselle ménager est utilisé conformément aux instructions du fabricant.

# Adoucisseur d'eau

L'adoucisseur d'eau doit être réglé manuellement à l'aide de la molette de sélection de la dureté de l'eau.

L'adoucisseur d'eau est conçu pour éliminer de l'eau les minéraux et les sels susceptibles d'altérer le bon fonctionnement de l'appareil.

Plus il y a de minéraux, plus votre eau est dure.

L'adoucisseur doit être réglé en fonction de la dureté de l'eau de votre région. Prenez contact avec votre compagnie des eaux locale pour obtenir des informations sur la dureté de l'eau dans votre région.

## Réglage de la consommation en sel

Ce lave-vaisselle est conçu pour permettre de régler la quantité de sel consommée en fonction de la dureté de l'eau utilisée. Cette fonction est destinée à optimiser et à personnaliser le niveau de consommation en sel.

Pour régler le niveau de consommation en sel, suivez la procédure ci-dessous :

1. Allumez l'appareil.
2. Dans les 60 secondes qui suivent l'allumage de l'appareil, appuyez sur le bouton Programme pendant plus de 5 secondes pour lancer le mode de réglage de l'adoucisseur d'eau ;
3. Appuyez sur le bouton Programme pour sélectionner le réglage correspondant à la dureté de l'eau de votre région. Les paramètres défilent dans l'ordre suivant :  
H1->H2->H3->H4->H5->H6 ;
4. N'appuyez sur aucun bouton pendant 5 secondes ou appuyez sur le bouton Marche/Arrêt pour enregistrer le paramètre sélectionné et quitter le mode de réglage.

DURETÉ DE L'EAU				Niveau de l'adoucisseur d'eau	Consommation en sel (gramme/cycle)
°dH (Allemagne)	°fH (France)	°Clarke (Royaume-Uni)	Mmol/l		
0 - 5	0 - 9	0 - 6	0 - 0,94	H1	0
6 - 11	10 - 20	7 - 14	1,0 - 2,0	H2	9
12 - 17	21 - 30	15 - 21	2,1 - 3,0	H3	12
18 - 22	31 - 40	22 - 28	3,1 - 4,0	H4	20
23 - 34	41 - 60	29 - 42	4,1 - 6,0	H5	30
35 - 55	61 - 98	43 - 69	6,1 - 9,8	H6	60

1 °dH = 1,25 °Clarke = 1,78 °fH = 0,178 mmol/l

Paramétrage d'usine : H3

Contactez votre compagnie des eaux locale pour connaître la dureté de l'eau de votre région.



**Veillez vous reporter à la section 3 « Ajout de sel dans l'adoucisseur » de la PARTIE I : Version générique si votre lave-vaisselle manque de sel.**

## **REMARQUE :**

**Si votre modèle n'est pas équipé d'un adoucisseur d'eau, vous pouvez sauter cette rubrique. Adoucisseur d'eau**

La dureté de l'eau varie selon les régions. Si le lave-vaisselle est utilisé avec de l'eau dure, des dépôts se formeront sur votre vaisselle.

L'appareil est équipé d'un adoucisseur spécial doté d'un réservoir de sel spécifiquement conçu pour éliminer le calcaire et les minéraux présents dans l'eau.

## **Préparation et chargement de la vaisselle**

- Essayez de penser à acheter des ustensiles portant la mention « lavable au lave-vaisselle ».
- Pour les plats ou ustensiles fragiles, sélectionnez un programme fonctionnant à la température la plus basse possible. Ne sortez pas vos verres et vos couverts du lave-vaisselle immédiatement après la fin du programme afin d'éviter tout risque d'endommagement.

### **Lavage des types de couverts/plats suivants**

#### **Ne conviennent pas**

- Couverts en bois, en porcelaine ou en nacre
- Objets en plastique qui ne résistent pas à la chaleur
- Couverts anciens dotés d'éléments collés qui ne résistent pas à la chaleur
- Couverts ou plats avec colle
- Éléments en étain ou en cuivre
- Verres en cristal
- Objets en acier pouvant rouiller
- Plateaux en bois
- Objets fabriqués en fibres synthétiques

#### **Convient dans une mesure restreinte**

- Certains types de verres peuvent se ternir après un certain nombre de lavages
- Les éléments en argent et en aluminium ont tendance à se décolorer au lavage
- Les motifs vernis peuvent s'estomper s'ils sont fréquemment lavés au lave-vaisselle

## Recommandations pour le remplissage du lave-vaisselle

Retirez le gros des aliments restant sur les plats et les couverts.

Ramollissez les résidus d'aliments brûlés dans les poêles et les casseroles.

Il n'est pas nécessaire de rincer vos plats et assiettes au préalable.

Pour garantir une performance optimale du lave-vaisselle, respectez les consignes suivantes. **(Les fonctionnalités et l'apparence des paniers et du panier à couverts peuvent varier selon les modèles.)**

Les différents éléments à laver sont à placer comme suit dans l'appareil :

- Les objets tels que les tasses, verres, casseroles/poêles, etc. doivent être retournés.
- Les objets incurvés ou présentant des renforcements doivent être positionnés obliquement de manière à ce que l'eau puisse s'en écouler.
- Tous les ustensiles doivent être placés de manière à bien tenir en place et à ne pas se renverser.
- Tous les ustensiles doivent être placés de manière à laisser assez d'espace pour que les bras d'aspersion puissent tourner librement pendant le lavage.
- Les objets creux tels que les tasses, verres, casseroles, etc. doivent être orientés vers le bas afin d'éviter que l'eau ne stagne à l'intérieur.
- Les plats et les couverts ne doivent pas être empilés les uns dans les autres ni se recouvrir. Faites en sorte d'éviter que les verres ne se touchent pour éviter tout dégât.
- Le panier du haut est destiné à la vaisselle plus délicate et plus légère, telle que les verres et les tasses.
- Les couteaux à lame longue représentent un danger si leur pointe est orientée vers le haut !
- Les couverts longs et/ou tranchants tels que les couteaux à découper sont à placer à l'horizontale dans le panier du haut.
- Ne surchargez pas le lave-vaisselle. Vous obtiendrez ainsi de bons résultats et optimiserez votre consommation d'énergie.

### REMARQUE :

Évitez de laver les éléments très petits au lave-vaisselle, car ils peuvent facilement tomber des paniers.

## Retrait de la vaisselle

Afin d'éviter que de l'eau du panier du haut ne s'écoule dans le panier du bas, nous vous recommandons de vider d'abord le panier du bas.

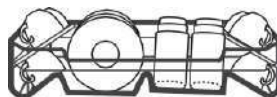
### AVERTISSEMENT !



**La vaisselle peut être très chaude !** Après la fin du programme, attendez environ 15 minutes avant de sortir vos verres et vos couverts du lave-vaisselle afin d'éviter tout risque d'endommagement.

## Remplissage du panier du haut

Le panier du haut est destiné aux objets plus délicats et plus légers, tels que les verres, les tasses, les soucoupes, les assiettes, les petits bols et les poêles et casseroles peu profondes (à condition que ceux-ci ne soient pas trop sales). Positionnez vos plats et couverts de manière à ce qu'ils ne puissent bouger sous la pression de l'arrosage.



## Remplissage du panier du bas

Nous vous recommandons de placer les objets les plus grands et ceux qui sont les plus difficiles à nettoyer dans le panier du bas (casseroles, poêles, couvercles, plats de service et saladiers), comme illustré ci-dessous. Il est préférable de placer vos plats et couvercles de service sur le côté du panier afin d'éviter de bloquer la rotation du bras de lavage.

Le diamètre maximum recommandé pour les assiettes situées devant le bac à détergent est de 19 cm, afin de ne pas en obstruer l'ouverture.



## Remplissage du panier à couverts

Les couverts doivent être placés dans la grille à couverts, séparément les uns des autres et dans une position adaptée, en veillant à ce qu'ils ne soient pas imbriqués, afin d'assurer une performance optimale.

### **AVERTISSEMENT !**



Ne laissez aucun couvert dépasser du bas du panier.  
Placez toujours les ustensiles tranchants pointe vers le bas !



Afin d'optimiser les performances de lavage, remplissez les paniers conformément aux options standards de remplissage indiquées dans la dernière section de la PARTIE I : Version générique

## Fonction du produit de rinçage et du détergent


Le produit de rinçage est libéré lors de la phase de rinçage final afin d'éviter que l'eau ne forme des gouttelettes sur vos ustensiles et qu'elle n'y laisse des traces. Il améliore également le séchage en permettant à l'eau de s'écouler de vos plats. Votre lave-vaisselle est conçu pour fonctionner avec du produit de rinçage liquide.

### **⚠ AVERTISSEMENT !**

Veillez à toujours utiliser du produit de rinçage de marque, spécifiquement conçu pour les lave-vaisselle. Ne versez jamais d'autres substances dans le distributeur à produit de rinçage (ex : produit de nettoyage de lave-vaisselle, détergent liquide). Ceci endommagerait votre appareil.

## Quand remettre du produit de rinçage ?

La fréquence de remplissage du bac dépend de la fréquence de lavage et du réglage défini.

- L'indicateur de Niveau faible de produit de rinçage (  ) s'allume quand il faut ajouter du produit de rinçage.
- Ne remplissez pas le bac à produit de rinçage au-delà de la limite.

## Fonction du détergent

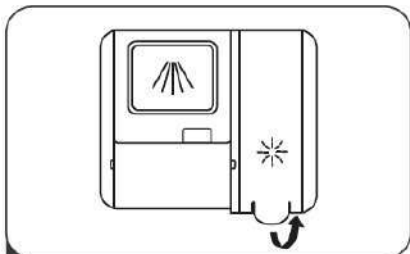
Les ingrédients chimiques qui composent le détergent sont nécessaires pour éliminer, décomposer et évacuer les saletés du lave-vaisselle. La majorité des détergents de qualité commerciale conviennent à cette fin.

### **⚠ AVERTISSEMENT !**

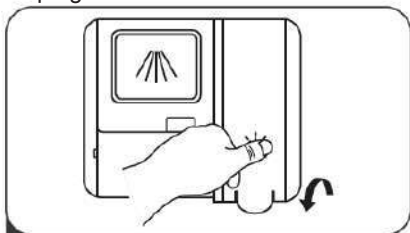
- Utilisation du détergent  
N'utilisez que des détergents spécifiquement conçus pour les lave-vaisselle. Votre détergent doit toujours être maintenu frais et sec. Ne mettez pas de détergent en poudre dans le distributeur avant d'être prêt à lancer un cycle de lavage.

-  **Les détergents pour lave-vaisselle sont corrosifs !  
Maintenez le détergent pour lave-vaisselle hors de portée des enfants.**

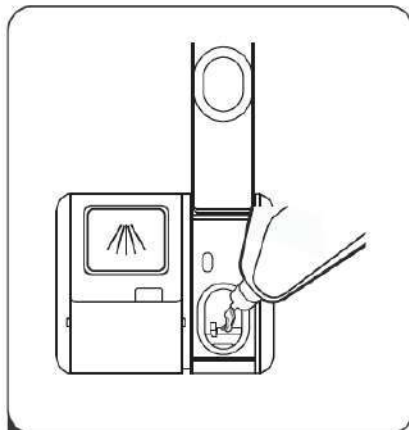
## Remplissage du bac à produit de rinçage



- 1** Retirez le couvercle du bac à produit de rinçage en tirant sur la poignée.



- 3** Lorsque vous avez terminé, refermez le couvercle.



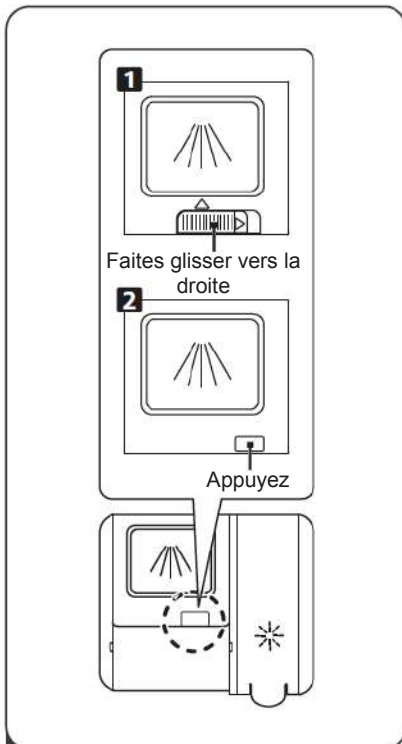
- 2** Versez le produit de rinçage dans le réservoir en veillant à ne pas dépasser le niveau maximum.

## Réglage du bac à produit de rinçage

Afin d'obtenir des performances de séchage optimales avec une quantité minimale de produit de rinçage, le lave-vaisselle est conçu pour ajuster la consommation en fonction de l'utilisateur. Suivez les étapes ci-après.

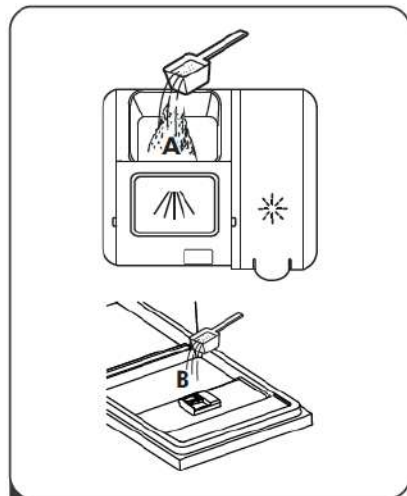
1. Fermez la porte et allumez l'appareil.
2. Dans un délai de 60 secondes à compter de l'étape 1, appuyez sur le bouton « Programme » pendant plus de 5 secondes, puis appuyez sur le bouton « Départ différé » pour accéder au mode de réglage. Le voyant d'alerte du produit de rinçage clignote à une fréquence de 1 Hz.
3. Appuyez sur le bouton « Programme » pour sélectionner le réglage correspondant à vos habitudes d'utilisation. Les paramètres défilent dans l'ordre suivant : D1->D2->D3->D4->D5->D1.  
Plus le chiffre est élevé, plus le lave-vaisselle utilise de produit de rinçage.
4. N'appuyez sur aucun bouton pendant 5 secondes ou appuyez sur le bouton Marche/Arrêt pour enregistrer le paramètre sélectionné et quitter le mode de réglage.

## • Remplissage du bac à détergent



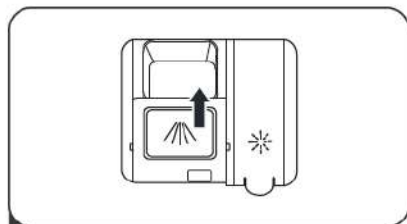
1 Optez pour la méthode d'ouverture correspondant à votre appareil.

1. Ouvrez le couvercle en faisant glisser le loquet d'ouverture.
2. Ouvrez le couvercle en appuyant sur le loquet d'ouverture.



2 Ajoutez du détergent dans le plus grand bac (A) pour le cycle de lavage principal.

Pour des performances de nettoyage optimales, surtout si votre vaisselle est très sale, versez une petite quantité de détergent sur la porte. Le détergent supplémentaire s'activera en phase de pré-lavage.



3 Pour fermer le couvercle, faites-le glisser vers l'avant puis appuyez dessus.

### REMARQUE :

- Sachez qu'en fonction de la saleté de l'eau, les réglages peuvent différer.
- Veuillez observer les recommandations du fabricant indiquées sur l'emballage de votre détergent.







# PROGRAMMATION DU LAVE-VAISSELLE

## Tableau des cycles de lavage

Le tableau ci-dessous présente les programmes les plus adaptés en fonction du niveau de saleté de la vaisselle et la quantité de détergent nécessaire. Il apporte également diverses informations relatives aux programmes.

(●) signifie qu'il est nécessaire de remplir le bac à produit de rinçage.

Programme	Description du cycle	Détergent cycle pré-lavage/principal	Durée (min)	Énergie (kWh)	Eau (L)	Produit de rinçage
 <b>Intensif</b>	Pré-lavage(50 °C) Lavage (65 °C) Rinçage Rinçage Rinçage (65 °C) Séchage	5/27,5 g <hr/> (1 ou 2 doses)	205	1,6	17,8	●
 <b>Universel</b>	Pré-lavage(45°C) Lavage (55°C) Rinçage Rinçage (65°C) Séchage	5/27,5 g <hr/> (1 ou 2 doses)	175	1,3	14,2	●
<b>Eco</b> (*EN 50242)	Pré-lavage Lavage (45°C) Rinçage (60°C) Séchage	5/27,5 g <hr/> (1 ou 2 doses)	230	0,923	11	●
 <b>Verre</b>	Pré-lavage Lavage (50 °C) Rinçage Rinçage (65°C) Séchage	5/27,5 g <hr/> (1 dose)	120	1,1	14,2	●
<b>90min</b> <b>90 min</b>	Lavage (60°C) Rinçage Rinçage (65°C) Séchage	32,5g <hr/> (1 dose)	90	1,35	11,5	●
 <b>Rapide</b>	Lavage (50°C) Rinçage Rinçage (45 °C)	25g	30	0,751	11,2	●

### REMARQUE :





**EN 50242 :** Ce programme est le cycle d'essai. Les informations destinées aux tests de comparabilité sont conformes à la norme EN 50242. Les valeurs données pour les programmes autres que le programme Eco sont purement indicatives.

## Tableau des cycles de lavage

Le tableau ci-dessous présente les programmes les plus adaptés en fonction du niveau de saleté de la vaisselle

et la quantité de détergent nécessaire. Il apporte également diverses informations relatives aux programmes.

(●) signifie qu'il est nécessaire de remplir le bac à produit de rinçage.

Programme	Description du cycle	Détergent cycle pré-lavage/principal	Durée (min)	Énergie (kWh)	Eau (L)	Produit de rinçage
 <b>Intensif</b>	Pré-lavage(50 °C) Lavage (65 °C) Rinçage Rinçage Rinçage (65 °C) Séchage	4/17 g <hr/> (1 ou 2 doses)	205	1,6	17,8	●
 <b>Universel</b>	Pré-lavage(45°C) Lavage (55°C) Rinçage Rinçage (65°C) Séchage	4/17 g <hr/> (1 ou 2 doses)	175	1,3	14,2	●
<b>Eco</b> (*EN 60436)	Pré-lavage Lavage (45°C) Rinçage (60°C) Séchage	4/17 g <hr/> (1 ou 2 doses)	230	0,937	11	●
 <b>Verre</b>	Pré-lavage Lavage (50 °C) Rinçage Rinçage (65°C) Séchage	4/17 g <hr/> (1 dose)	120	1,1	14,2	●
<b>90min</b> <b>90 min</b>	Lavage (60°C) Rinçage Rinçage (65°C) Séchage	21g <hr/> (1 dose)	90	1,35	12,5	●
 <b>Rapide</b>	Lavage (50°C) Rinçage Rinçage (45 °C)	20 g <hr/> (1 ou 2 doses)	30	0,751	11,2	●

### REMARQUE :

**EN 60436 :** Ce programme est le cycle d'essai. Les informations destinées aux tests de comparabilité sont conformes à la norme EN 60436. Les valeurs données pour les programmes autres que le programme Eco sont purement indicatives.

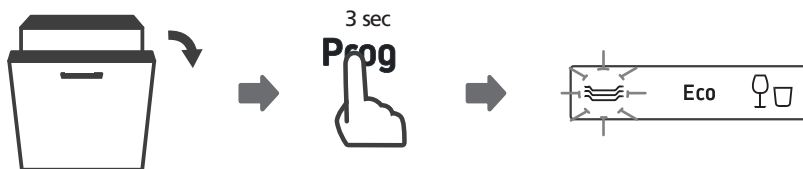
## Comment lancer un cycle de lavage

1. Tirez vers vous les paniers du haut et du bas, placez-y votre vaisselle, puis poussez les paniers à l'intérieur. Nous vous recommandons de remplir d'abord le panier du bas, puis le panier du haut.
2. Versez le détergent.
3. Branchez l'appareil. Pour en savoir plus sur l'alimentation électrique requise, reportez-vous à la dernière page « Fiche produit ». Assurez-vous que l'arrivée d'eau est ouverte de manière à assurer un niveau de pression maximal.
4. Fermez la porte, appuyez sur le bouton Marche/Arrêt.
5. Choisissez un programme. Le voyant correspondant s'allume. Refermez la porte. Le lave-vaisselle démarre le cycle de lavage.

## Comment changer de programme en cours de cycle

Vous ne pouvez modifier le cycle de lavage qu'en début de cycle, car par la suite, le détergent aura déjà été libéré et le lave-vaisselle aura peut-être déjà vidangé l'eau de lavage. Si tel est le cas, vous devez réinitialiser le lave-vaisselle et remplir à nouveau le bac à détergent. Pour réinitialiser le lave-vaisselle, suivez les consignes ci-dessous :

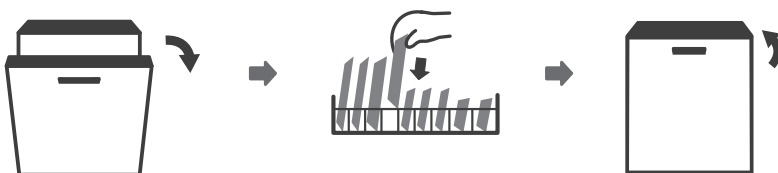
1. Entrouvrez la porte pour arrêter le lave-vaisselle. Une fois les bras de lavage à l'arrêt complet, vous pouvez ouvrir la porte entièrement.
2. Appuyez au moins trois secondes sur le bouton « Programme » pour mettre l'appareil en veille.
3. Vous pouvez changer de programme en sélectionnant le cycle souhaité.



## Un plat à rajouter ?

Vous pouvez rajouter de la vaisselle à tout moment avant l'ouverture du bac à détergent. Pour ce faire, suivez les consignes ci-dessous :

1. Entrouvrez la porte pour arrêter le lavage.
2. Une fois les bras de lavage à l'arrêt complet, vous pouvez ouvrir la porte entièrement.
3. Placez la vaisselle oubliée dans l'appareil.
4. Fermez la porte.
5. Le lave-vaisselle redémarre.



Ouvrir la porte au cours d'un cycle est dangereux : la vapeur chaude qui s'échappe peut vous brûler.

# CODES D'ERREUR

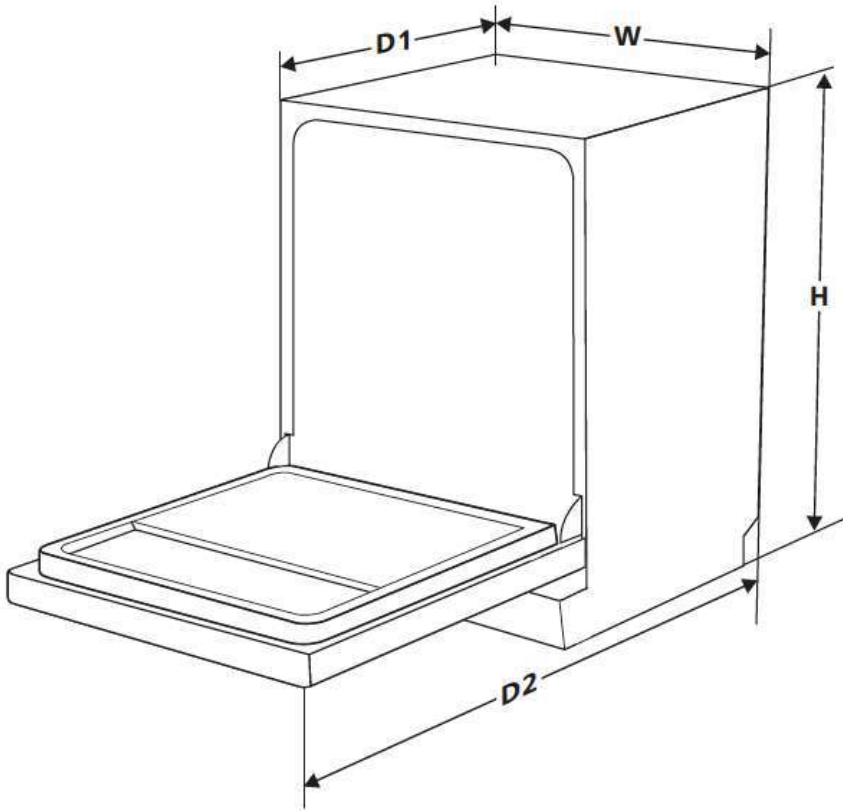
En cas de dysfonctionnement, le lave-vaisselle affiche un code d'erreur permettant d'identifier la panne :

Code	Signification	Causes possibles
E1	Délai d'arrivée d'eau plus long.	Le robinet est fermé, l'arrivée d'eau est bloquée ou la pression de l'eau est trop faible.
E3	Température requise non atteinte.	Dysfonctionnement de l'élément chauffant.
E4	Débordement.	Un élément du lave-vaisselle fuit.
Ed	Erreur de communication entre la carte principale et la carte d'affichage.	Circuit ouvert ou court-circuit de la communication.

## **AVERTISSEMENT !**

- En cas de débordement, coupez l'arrivée d'eau avant d'appeler un technicien.
- En cas de présence d'eau dans la base de la cuve suite à un débordement ou à une petite fuite, retirez l'eau avant de redémarrer le lave-vaisselle.

# INFORMATIONS TECHNIQUES



<b>Hauteur (H)</b>	815 mm
<b>Largeur (W)</b>	598 mm
<b>Profondeur (D1)</b>	550 mm (porte fermée)
<b>Profondeur (D2)</b>	1150 mm (porte ouverte à 90°)

# ACCÈS BASE DE DONNÉES

Afin d'accéder aux informations concernant votre modèle, stocké dans la base de données des produits, conformément au règlement (UE) 2019/2017 et relatif à l'étiquetage énergétique, veuillez-vous connecter au site internet : <https://eprel.ec.europa.eu/>

Rechercher la référence de votre appareil sur le site internet en entrant la référence service qui est indiquée sur la plaque signalétique de votre appareil.

Un autre moyen d'accéder à ces informations est de flasher le code « QR » présent sur l'étiquette énergétique de votre produit.

# FR Service Après-vente :

## 1- RELATIONS CONSOMMATEURS FRANCE

Pour en savoir plus sur nos produits ou nous contacter, vous pouvez:

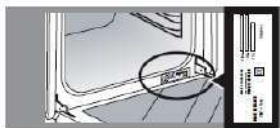
- consulter notre site : [www.brandt.fr](http://www.brandt.fr)
- nous écrire à l'adresse postale suivante :  
Service Consommateurs BRANDT  
5 avenue des Béthunes  
CS69526 SAINT OUEN L'AUMONE  
95060 CERGY PONTOISE CEDEX
- nous appeler du lundi au vendredi de 8h30 à 18h00 au :

**0 892 02 88 01** Service 0,50 € / min  
+ prix appel

Service fourni par Brandt France, S.A.S. au capital social de 100.000.000 euros  
RCS Nanterre 801 250 531.

## 2- INTERVENTIONS FRANCE

Les éventuelles interventions sur votre appareil doivent être effectuées par un professionnel qualifié dépositaire de la marque. Lors de votre appel, afin de faciliter la prise en charge de votre demande, munissez-vous des références complètes de votre appareil (référence commerciale, référence service, numéro de série). Ces renseignements figurent sur la plaque signalétique.



B	C	H
SERVICE :	TYPE :	C
B	C	H
N° :		H



B : Référence commerciale  
C : Référence service  
H : Numéro de série

Vous pouvez nous contacter du lundi au samedi de 8h00 à 20h00 au :

**09 69 39 25 25** Service gratuit  
+ prix appel

### Pièces d'origine :

Lors d'une intervention, demandez l'utilisation exclusive de pièces détachées certifiées d'origine.



### INFORMATION :

La durée minimale de mise à disposition des pièces de rechange inscrites dans la liste du Règlement Européen 2019-2022-EU et accessibles notamment à l'utilisateur de l'appareil, est de 10 ans dans les conditions prévues par ce même règlement.



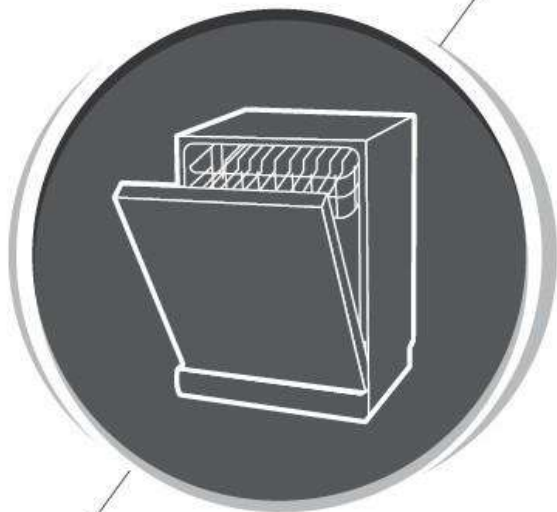
# *Brandt*



MANUAL DE INSTRUCCIONES ES

**Lavavajillas**

**DWJ137DS**



# **Lavavajillas**

## **Manual de instrucciones**

**PARTE I: versión general**

# ÍNDICE

01	3	<b>NORMAS DE SEGURIDAD</b>
02	8	<b>PRESENTACIÓN DEL APARATO</b>
03	9	<b>USO DEL LAVAVAJILLAS</b>
	9	Carga de sal en el ablandador
	11	Consejos de uso de las bandejas
04	13	<b>MANTENIMIENTO Y LIMPIEZA</b>
	13	Mantenimiento exterior
	13	Mantenimiento interior
	16	Mantenimiento del lavavajillas
05	17	<b>NORMAS DE INSTALACIÓN</b>
	17	Acerca de la conexión eléctrica
	18	Suministro de agua y vaciado
	19	Conexión del tubo de vaciado
	20	Colocación del aparato
	20	Instalación sobre patas
06	21	Empotramiento (modelos integrables)
	26	<b>RESOLUCIÓN DE PROBLEMAS</b>
07	30	<b>PROCEDIMIENTO DE LLENADO DE LAS BANDEJAS</b>



## NOTA:

- En el apartado "Resolución de problemas" puede encontrar la solución a los problemas más habituales relacionados con el electrodoméstico.
- Si no logra solucionar el problema usted mismo, pida ayuda a un técnico profesional.
- Siguiendo con la política de evolución y mejora continua de los productos, el fabricante se reserva el derecho de modificar sus productos sin previo aviso.
- Si pierde este modo o si no está actualizado, puede solicitar uno nuevo al fabricante o al proveedor responsable.

# NORMAS DE SEGURIDAD

## ADVERTENCIA

**Cuando vaya a utilizar el lavavajillas, respete las normas indicadas a continuación:**

- Solo un técnico cualificado puede instalar y reparar el aparato.
- Este aparato está exclusivamente destinado a un uso doméstico así como para aplicaciones similares tales como:
  - - cocinas en tiendas, oficinas y otros entornos de trabajo
  - - explotaciones agrícolas
  - - hoteles, moteles, habitaciones de huéspedes y otros entornos residenciales
  - - establecimientos que ofrecen media pensión.
- Los niños a partir de 8 años, las personas con capacidades físicas, sensoriales o mentales reducidas y las personas sin la experiencia o los conocimientos necesarios solo estarán autorizadas a utilizar el aparato bajo la responsabilidad de una persona con experiencia o que haya recibido las instrucciones necesarias para hacerlo funcionar con seguridad y que conozca los riesgos vinculados con su uso.
- Los niños no deben jugar con el aparato. La limpieza y el mantenimiento no deben ser efectuados por niños sin vigilancia. (Para EN 60335-1)
- Este aparato no está previsto para ser utilizado por personas (incluidos los niños) cuyas capacidades físicas, sensoriales o mentales sean reducidas, o personas desprovistas de experiencia o conocimientos sobre la utilización del aparato, salvo que lo hagan bajo la vigilancia o con instrucciones previas de una persona responsable de su seguridad. (Para CEI 60335-1)

- Los materiales de embalaje pueden ser peligrosos para los niños.
- Este aparato está exclusivamente reservado para un uso doméstico.
- Para evitar riesgos de electrocución, no sumerja el aparato, el cable ni la toma dentro de agua ni de cualquier otro líquido. Desconecte el aparato antes de cualquier operación de limpieza o de mantenimiento del mismo.
- Para limpiar el aparato, utilice un trapo húmedo impregnado con agua jabonosa y luego séquelo con un trapo seco.



## **Normas de puesta a tierra**

---

- Este aparato debe estar conectado a tierra. En caso de mal funcionamiento o de avería, la puesta a tierra reduce el riesgo de electrocución proporcionando un paso de menor resistencia para la corriente eléctrica. Este aparato está equipado con una toma de tierra.
- La toma se debe conectar a una superficie adaptada instalada y puesta a tierra de acuerdo con la normativa local.
- Una mala conexión de la toma de tierra puede provocar riesgo de electrocución.
- En caso de duda respecto a la puesta a tierra del aparato, contacte con un electricista cualificado o un representante del servicio técnico de reparación.
- No cambie el enchufe eléctrico proporcionado con el aparato.
- Si no se adapta a su toma, mande instalar una toma adecuada a un técnico cualificado.
- No golpee el lavavajillas, no se suba ni se siente sobre la puerta ni las bandejas.
- No utilice el lavavajillas si todas las paredes no están bien colocadas.

- Evite abrir, o abra con cuidado, la puerta del lavavajillas cuando está funcionando: podría salir agua de dentro. No desplace objetos pesados ni se suba a la puerta cuando esté abierta. El aparato podría volcarse.
- Cuando cargue vajilla sucia:
  - 1) Coloque los elementos cortantes de modo que no puedan dañar la junta de la puerta.
  - 2) Atención: los cuchillos y otros utensilios cortantes se deben colocar en el cesto de cubiertos cabeza abajo o en posición horizontal.
- Los detergentes para lavavajillas son muy alcalinos. Pueden ser extremadamente peligrosos si se ingieren. Evite cualquier contacto con la piel y los ojos y mantenga alejados del lavavajillas a los niños cuando la puerta esté abierta.
- Compruebe que todo el detergente en polvo se haya eliminado al terminar el ciclo de lavado.
- Asegúrese de que todos los utensilios de plástico lleven la mención
- «lavable en lavavajillas» o equivalente antes de lavarlos en el lavavajillas.
- Para los utensilios de plástico que no presenten ninguna mención de este tipo, lea las recomendaciones del fabricante.
- Utilice solo productos detergentes y de abrillantado recomendados para lavavajillas automáticos.
- No utilice nunca jabón, lejía ni ningún producto de lavado a mano para el lavavajillas.
- Cierre siempre la puerta del aparato para evitar cualquier riesgo de caída.
- Para evitar cualquier peligro, si el cable de alimentación está dañado, debe ser reemplazado por el fabricante, un servicio de posventa autorizado o una persona cualificada.
- Al instalar el aparato, no doble ni aplane de manera excesiva ni peligrosa el cable de alimentación.

- No modifique los mandos.
- El aparato debe estar conectado a la toma de agua principal con tubos nuevos. No utilice tubos usados.
- Para ahorrar energía, en modo de espera el aparato se apaga automáticamente si no se realiza ninguna operación durante 15 minutos.
- Este aparato tiene una capacidad máxima de 13 cubiertos.
- La presión del agua en la llave de paso debe ser igual o inferior a 1 MPa. La presión del agua en la llave de paso debe ser igual o superior a 0,04 MPa.

# Eliminación

---

- Lleve el aparato y su embalaje al centro de reciclaje. Corte el cable de alimentación y desactive el sistema de cierre de la puerta.
- El embalaje de cartón se fabrica con papel reciclado y debe ser depositado en los contenedores de reciclaje para del papel y cartón.
- Al eliminar adecuadamente el aparato contribuimos a preservar el medio ambiente y la salud humana y nos aseguramos de que los residuos son tratados en óptimas condiciones.
- Para más información sobre el reciclaje de este producto, contacte con su Ayuntamiento o el servicio local de tratamiento de residuos.
- **Eliminación: no tire este aparato con los residuos municipales no clasificados. Este aparato se debe eliminar por separado para poder ser tratado de manera adecuada.**

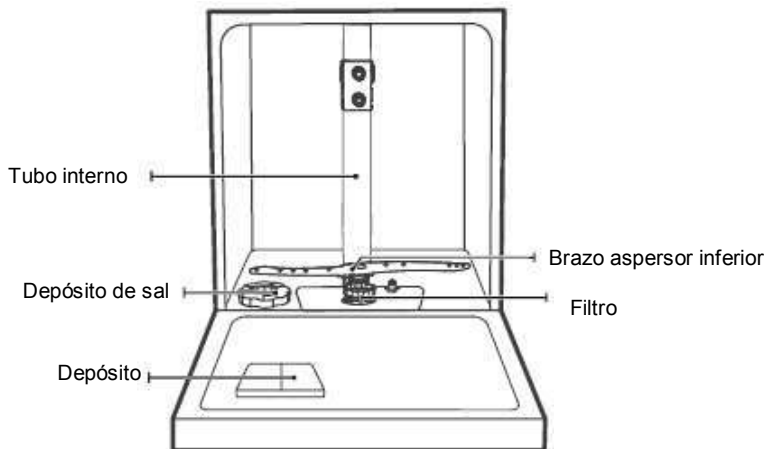




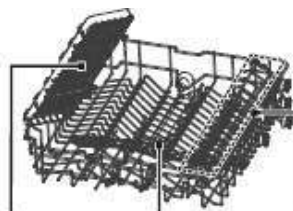
# PRESENTACIÓN DEL APARATO

## ❶ IMPORTANTE:

Para garantizar un rendimiento óptimo del lavavajillas, lea atentamente las normas de uso antes de la primera utilización.



Cesto de cubiertos



Bandeja de cubiertos

Brazo aspersor central  
Bandeja superior

Soporte para tazas



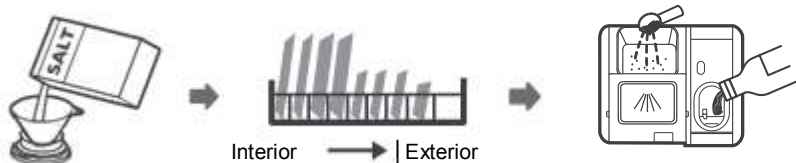
Bandeja inferior

## 💡 NOTA:

Imágenes proporcionadas a título informativo; los diferentes modelos pueden variar. Interprete las imágenes en función del modelo de su lavavajillas.

# USO DEL LAVAVAJILLAS

Antes de usar el lavavajillas:



1. Ajuste el ablandador de agua
2. Añada sal en el ablandador
3. Coloque la vajilla sucia
4. Llene el depósito de detergente



Consulte la sección 1 «Ablandador de agua» de la PARTE II: Versión especial para ajustar el ablandador de agua

## Carga de sal en el ablandador



### NOTA:

Si su modelo no está equipado con un ablandador de agua, puede obviar este apartado. Utilice siempre sal para lavavajillas.

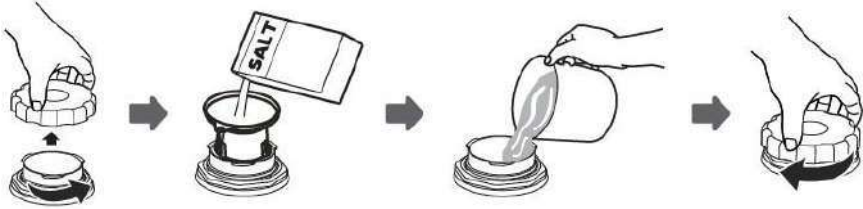
El depósito de sal está en la bandeja inferior y se debe llenar como se indica a continuación:



### ADVERTENCIA


- **Utilice solo detergentes para lavavajillas.**  
Los demás tipos de sal no especialmente diseñados para lavavajillas y, en particular, la sal de cocina, pueden dañar el ablandador. El fabricante declina la responsabilidad ante cualquier desperfecto del lavavajillas causado por el uso de sal no apropiada, en cuyo caso el aparato no estará cubierto por la garantía.
- **Añada sal únicamente antes de un ciclo de lavado.**  
De este modo se evita que queden granos de sal o de agua salada en el fondo del aparato, lo que podría oxidar la superficie.

Para añadir sal especial para lavavajillas, siga el procedimiento explicado a continuación:



1. Retire la bandeja inferior, afloje y retire la tapa del depósito de sal.
2. Coloque el extremo del embudo (suministrado) en el agujero e introduzca aproximadamente 1,5 kg de sal para lavavajillas.
3. Llene el depósito de sal hasta el nivel máximo. Es normal que una pequeña cantidad de agua salga del depósito de sal.
4. Una vez llenado el depósito, cierre y apriete bien la tapa.
5. Una vez llenado el depósito de sal, el piloto de alarma de sal se apaga.
6. Inmediatamente después de haber llenado el depósito de sal, lance un programa de lavado (recomendamos un programa corto) para que no se estropee por el agua salada el sistema de filtrado, la bomba o cualquier otro elemento importante del aparato. Los deterioros por agua salada no están cubiertos por la garantía.

#### **NOTA:**

- El depósito de sal no se debe llenar hasta que no se encienda el piloto de alarma de sal (  ) en el panel de control. Según la velocidad de disolución de la sal, puede que el piloto de alarma de sal permanezca encendido incluso después de llenar el depósito de agua.  
Si el panel de control no incluye piloto de alarma de sal (en algunos modelos), puede determinar cuándo añadir sal según el número de ciclos realizados por el lavavajillas.
- Si ha echado sal junto al depósito, lance un programa de remojo o un programa rápido para eliminarla.

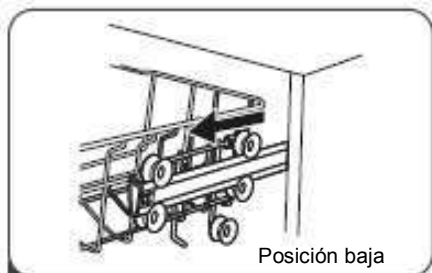
# Consejos de uso de las bandejas

Llenado de la bandeja superior

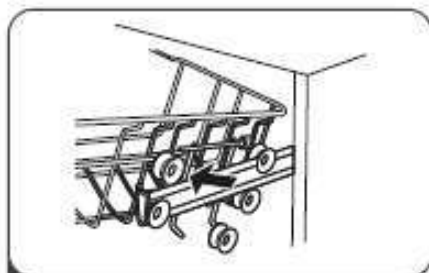
## Tipo 1:

Se puede ajustar fácilmente la altura de la bandeja superior para adaptarla a platos más grandes dispuestos en la bandeja superior o en la inferior.

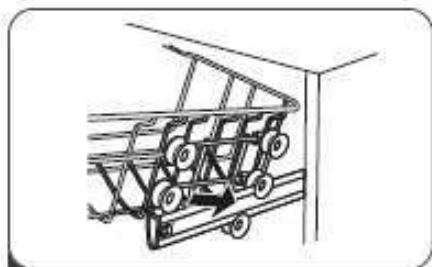
Para ajustar la altura de la bandeja superior, proceda del siguiente modo:



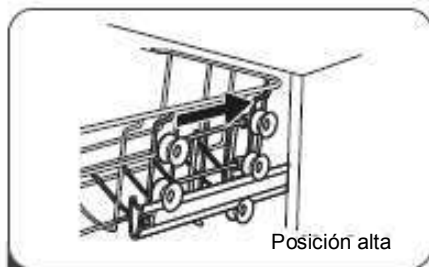
**1** Saque la bandeja superior



**2** Retire la bandeja superior

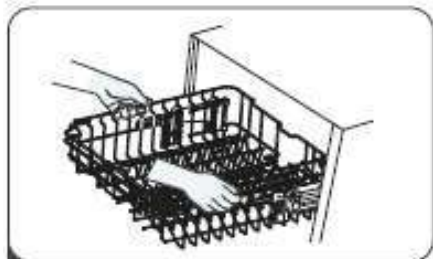


**3** Vuelva a colocar la bandeja superior en las guías superiores o inferiores

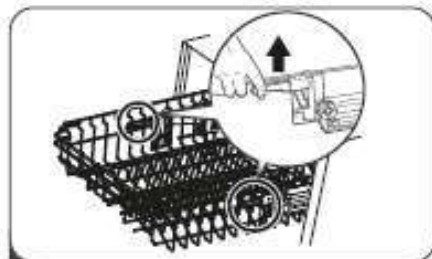


**4** Meta la bandeja superior

## Tipo 2:



- 1** Para levantar la bandeja superior, levante la bandeja por el centro a ambos lados hasta que se bloquee arriba. No es necesario levantar el asa de ajuste.



- 2** Para bajar la bandeja superior, levante las asas de ajuste de ambos lados para soltar la bandeja y bajarla.

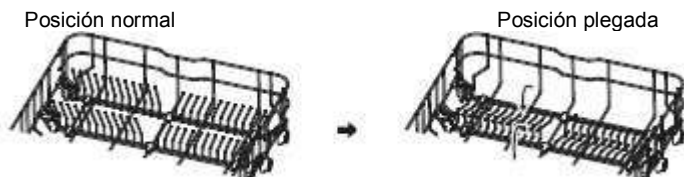
## Abatir los soportes para tazas

Para dejar espacio para artículos más grandes en la bandeja superior, pliegue hacia arriba el soporte para tazas. Puede apoyar los vasos altos contra este soporte. También puede retirarlo cuando no lo necesite.



## Plegar las varillas

Las varillas de la bandeja inferior permiten colocar platos y fuentes. Y se pueden plegar para disponer de más espacio para fuentes más grandes.



# MANTENIMIENTO Y LIMPIEZA

## Mantenimiento exterior

### Puerta y junta de puerta

Limpe regularmente las juntas de la puerta con un paño húmedo no abrasivo para eliminar los restos de alimentos. Al cargar el lavavajillas, los restos de alimentos o líquidos pueden manchar los laterales de la puerta del electrodoméstico. Estas superficies quedan fuera de la zona de lavado y del alcance del agua impulsada por los brazos aspersores. Limpe cualquier residuo que quede antes de cerrar la puerta.

### Panel de control

Limpe el panel de control con un paño húmedo no abrasivo.

#### ADVERTENCIA

- Para evitar que el agua penetre en el dispositivo de cierre de la puerta y los componentes electrónicos, no utilice ningún tipo de producto limpiador en spray.
- No use limpiadores abrasivos ni esponjas para fregar las superficies exteriores, ya que se podría rayar el revestimiento. Algunas bayetas también pueden rayar o dejar marcas en la superficie.

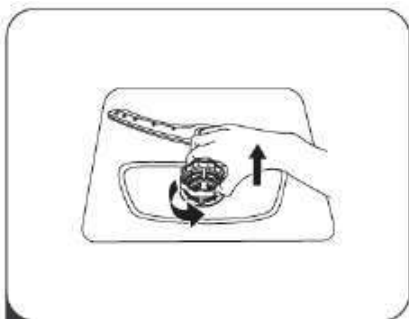
## Mantenimiento interior

### Sistema de filtrado

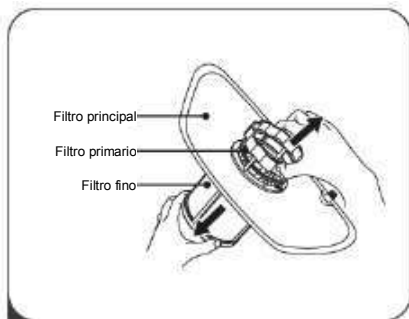
El sistema de filtrado situado en la parte inferior del aparato retiene los residuos grandes durante el ciclo de lavado. Estos residuos pueden bloquear el filtro, por lo que conviene comprobar regularmente (cada mes) el estado de los filtros y limpiarlos en caso necesario pasándolos bajo agua. Siga el procedimiento explicado a continuación para limpiar los filtros en la zona de lavado.

#### NOTA:

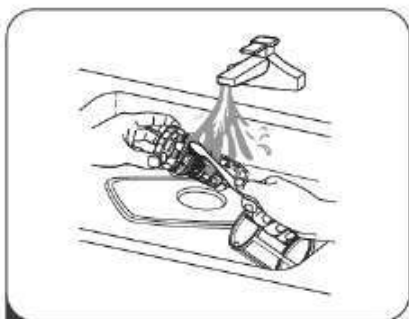
Imágenes proporcionadas a título informativo; los diferentes modelos de sistemas de filtrado y de brazos aspersores pueden variar.



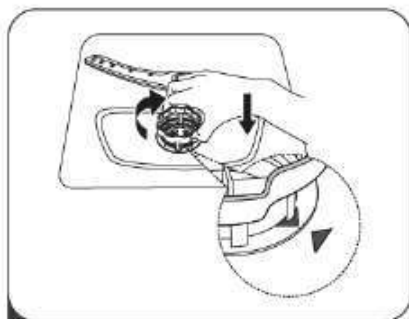
**1** Coja el filtro primario y gírelo en sentido antihorario para desbloquearlo. Levante el filtro y sáquelo del lavavajillas.



**2** Puede quitar el filtro fino situado en la parte inferior del dispositivo de filtrado. Retire el filtro primario del filtro principal presionando suavemente las lengüetas de la parte superior antes de quitar el filtro.



**3** Aclare el filtro con agua corriente para eliminar los principales restos de alimentos. Para una limpieza más eficaz, use un cepillo de limpieza no abrasivo.



**4** Vuelva a montar los filtros siguiendo los pasos de desmontaje en orden inverso; reemplace el dispositivo de filtrado y gírelo en sentido horario hasta la flecha de cierre.



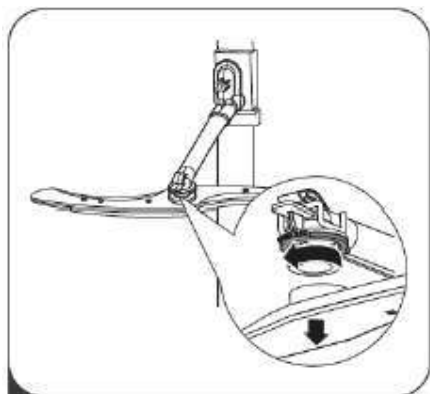
### ADVERTENCIA

- No apriete demasiado los filtros. Vuelva a montar los filtros fijándolos bien para evitar que los residuos más grandes entren en el sistema y causen un bloqueo.
- No use nunca el lavavajillas sin filtros. Un filtro mal colocado puede reducir la eficacia del electrodoméstico y deteriorar la vajilla.

## Brazo aspersor

Hay que limpiar los brazos aspersores regularmente para que las partículas químicas del agua dura no obstruyan las boquillas y los rodamientos de los brazos aspersores.

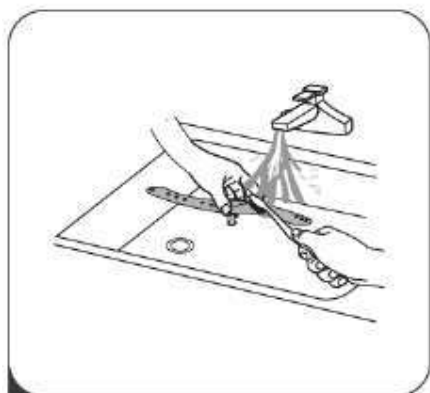
Para limpiar los brazos aspersores, siga las instrucciones explicadas a continuación:



- 1** Para sacar el brazo aspersor superior, sujete la tuerca y gire el brazo en sentido horario.



- 2** Para sacar el brazo aspersor inferior, tire del brazo hacia arriba.



- 3** Lave los brazos con agua tibia jabonosa y limpie las boquillas con un cepillo de cerdas suaves. Aclárelos bien y vuélvalos a poner en su sitio.



# Mantenimiento del lavavajillas

---

## Precauciones antihielo

Tome las precauciones de seguridad recomendadas para su lavavajillas en invierno. Después de cada ciclo de lavado, proceda como se indica a continuación:

1. Desconecte el lavavajillas de la red eléctrica.
2. Cierre la llave de paso de agua y desconecte el tubo de suministro del grifo.
3. Vacíe el agua del tubo de suministro de agua y del grifo de agua. (utilice una cacerola para recoger el agua)
4. Vuelva a conectar el tubo de suministro de agua al grifo de agua.
5. Retire el filtro del fondo de la cuba y absorba el agua restante con una esponja.

## Tras cada lavado

Después de cada lavado, cierre el paso de agua y deje la puerta ligeramente abierta para que no se concentre humedad ni malos olores.

## Desconectar la toma

Desconecte la toma antes de cualquier operación de limpieza o de mantenimiento.

## Limpiar sin disolventes ni productos abrasivos

Para limpiar el exterior y las partes de goma del lavavajillas, no utilice disolventes ni productos abrasivos. Utilice un trapo humedecido con agua tibia y jabonosa.

Para eliminar las manchas de las superficies internas, utilice un paño humedecido con agua y un poco de vinagre o un producto limpiador específico para lavavajillas.

## En caso de no utilización prolongada

Conviene lanzar un ciclo de lavado con el lavavajillas vacío, desconectar la toma y cerrar la llave de paso de agua y dejar la puerta ligeramente abierta. Así se optimiza la vida útil de las juntas de la puerta y se evitan los malos olores en el interior del aparato.

## Mover el aparato

Si tiene que desplazar el aparato, muévelo siempre en posición vertical. En caso de necesidad imperiosa, puede colocarlo sobre la parte trasera.

## Juntas

Uno de los factores que favorecen la formación de olores en el lavavajillas es la presencia de restos de alimentos en las juntas. Esto se puede evitar limpiando regularmente las juntas con una esponja húmeda.

# NORMAS DE INSTALACIÓN

## ⚠ ADVERTENCIA



### Riesgo de electrocución

Corte la electricidad antes de instalar el lavavajillas.

De lo contrario, puede provocar el riesgo de muerte o electrocución.

## ⚠ Atención

La conexión de los tubos y equipos eléctricos debe ser realizada por profesionales.

## Acerca de la conexión eléctrica

### ⚠ ADVERTENCIA

- Para su seguridad:
- no utilice alargadera ni adaptador con este aparato.
- En ningún caso debe cortar ni retirar las conexiones de puesta a tierra.

## Alimentación eléctrica

Consulte la placa descriptiva del aparato para conocer la tensión requerida y conectar el lavavajillas a una fuente de alimentación adecuada. Utilice el fusible 10 A/13 A/16 A, el fusible temporizado o el disyuntor recomendados y habilite un circuito distinto para este aparato.

## Conexión eléctrica

Compruebe que la tensión y la frecuencia de alimentación corresponden a la placa descriptiva. No enchufe la toma a la red hasta que no esté asegurada la puesta a tierra. Si la toma eléctrica a la que se tiene que conectar el aparato no es adecuada, cámbiela en vez de utilizar un adaptador o cualquier otro dispositivo que podrían provocar un sobrecalentamiento y producir quemaduras.

**⚠ Asegúrese de que haya una conexión de puesta a tierra antes de utilizar el lavavajillas.**

# Suministro de agua y vaciado

## Conexión al agua fría

Conecte el tubo de suministro de agua fría a una toma roscada 3/4 hasta que esté bien apretado.

Si los tubos de suministro de agua son nuevos o no se han utilizado durante mucho tiempo, deje que corra agua hasta comprobar que está limpia. De este modo se evita que el suministro de agua se bloquee y deteriore el aparato.



Tubo de suministro de agua ordinario



Tubo de suministro de agua seguro

## Acerca del tubo de suministro de agua seguro

El tubo de suministro de agua seguro es doble. Este sistema funciona bloqueando el suministro de agua si el tubo está dañado o si la cámara de aire situada entre el tubo de suministro de agua y el tubo externo está llena de agua.

### ADVERTENCIA

Un tubo conectado a un grifo pulverizador puede explotar si se instala en el mismo suministro de agua que el lavavajillas. Si su fregadero tiene uno, le recomendamos que desmonte el tubo y bloquee la abertura.

## Cómo conectar el tubo de suministro de agua seguro

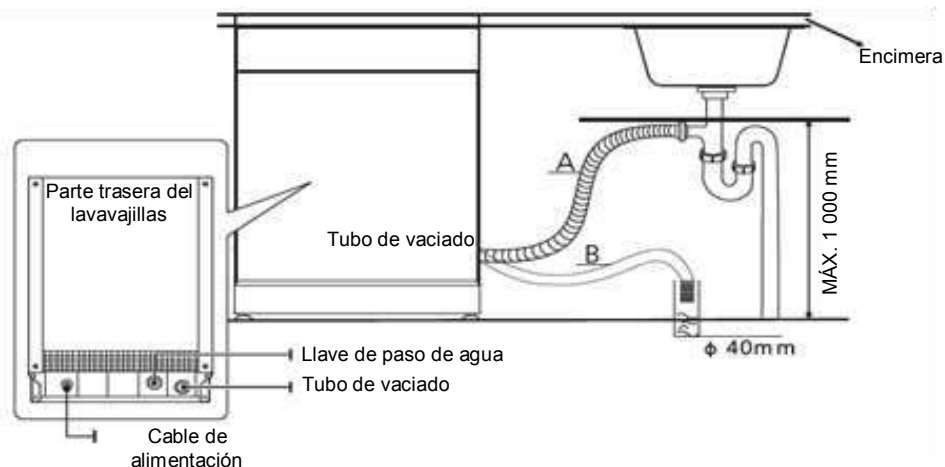
1. Retire completamente los tubos del compartimento de almacenamiento situado en la parte trasera del lavavajillas.
2. Fije el tubo de suministro al grifo con una conexión roscada de 3/4.
3. Abra del todo la llave de agua antes de poner en marcha el lavavajillas.

## Cómo desmontar el tubo de suministro de agua seguro

1. Corte el paso de agua.
2. Afloje el tubo de suministro de agua seguro del grifo.

# Conexión del tubo de vaciado

Introduzca el tubo de vaciado en un conducto de desagüe con un diámetro mínimo de 4 cm o deje que se vacíe en el fregadero procurando en todo momento no plegarlo ni aplastarlo. La altura del conducto de desagüe debe ser inferior a 1 000 mm. Para evitar cualquier descarga, el extremo del tubo no debe sumergirse en el agua. ⚠ Fije el tubo de vaciado en la posición A o B para que permanezca en su lugar.



## Cómo evacuar el agua restante de los tubos

Si el fregadero se encuentra a más de 1 000 mm del suelo, el agua restante de los tubos no se puede evacuar directamente en el fregadero. Habrá que evacuarla en una palangana u otro recipiente adaptado colocándolo fuera del lavavajillas y por debajo del fregadero.

## Salida de agua

Conecte el tubo de vaciado. El tubo de vaciado se debe instalar correctamente para evitar cualquier fuga. Asegúrese de que el tubo de vaciado no está doblado ni aplastado.

## Extensión de tubo

Si necesita una extensión de tubo para vaciar el agua del lavavajillas, emplee un tubo similar.

No debe tener más de 4 metros de longitud, ya que de lo contrario se reducirá la eficacia del lavavajillas.

## Conexión del sifón

La conexión a la evacuación debe estar a menos de 100 cm de altura (máximo) respecto a la parte inferior del lavavajillas. Fije el tubo de vaciado.

# Colocación del aparato

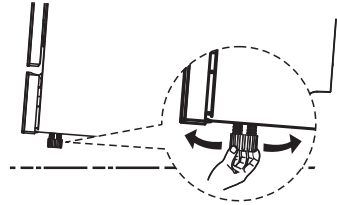
---

Instale el aparato en el lugar deseado. La parte trasera del aparato debe colocarse contra la pared y los laterales también sujetos contra las paredes laterales. El lavavajillas está equipado con tubos de suministro de agua y de vaciado que se pueden poner a la izquierda o a la derecha del aparato para facilitar su instalación.

## Nivelación del aparato

Una vez instalado el electrodoméstico en su lugar previsto, se puede ajustar la altura del lavavajillas regulando el nivel de las patas.

En todo caso, el aparato no se debe inclinar más de 2°.



### NOTA:

Solo aplicable a aparatos instalados sobre patas.

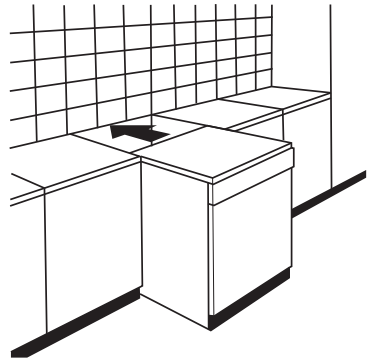
# Instalación sobre patas

---

## Instalación entre armarios

Este lavavajillas tiene una altura (845 mm) diseñada para permitir su instalación entre armarios de la misma altura en cocinas modernas. Las patas se pueden ajustar para alcanzar la altura deseada.

El panel superior laminado no requiere ningún mantenimiento específico, ya que es resistente al calor y tiene una protección contra rayaduras y manchas.



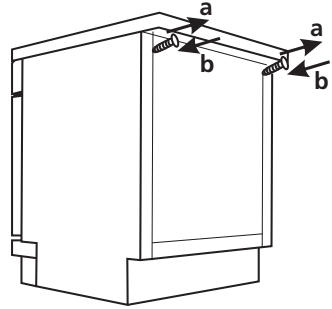
## Instalación bajo encimera

(En caso de instalación bajo una encimera)

La mayoría de las cocinas modernas tienen una sola encimera debajo de la cual se instalan los armarios y electrodomésticos. En este caso, retire el panel superior del lavavajillas aflojando los tornillos situados debajo del borde posterior (a).

### ⚠ Atención

Tras quitar el panel superior, apriete los tornillos situados debajo del borde posterior (b).



La altura del lavavajillas es entonces 815 mm, según las normas internacionales (normas ISO), lo que corresponde a la altura de la encimera de la cocina.

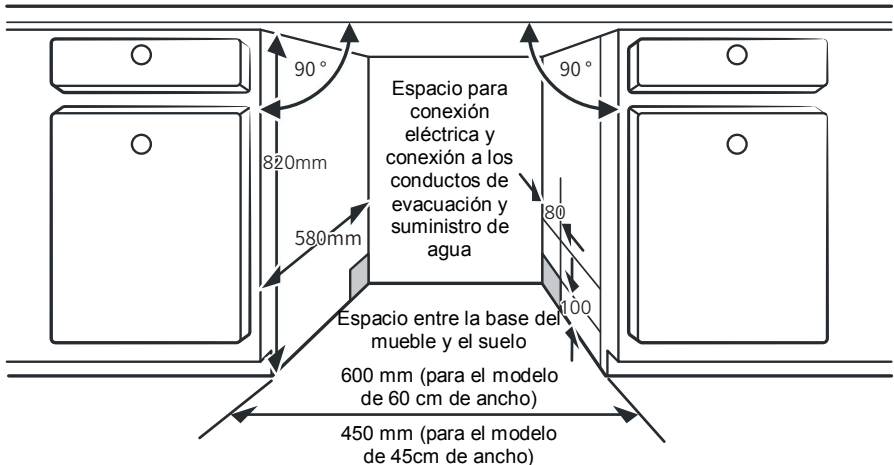
## Empotramiento (para modelo integrable)

### Etapa 1. Selección del lugar más adecuado para el lavavajillas

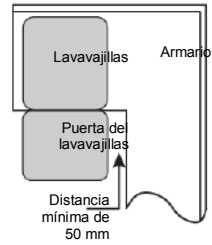
El lavavajillas se debe instalar cerca de los conductos de suministro y vaciado de agua y de la fuente de alimentación.

Imágenes de las dimensiones del lugar de instalación y de la posición de instalación del lavavajillas.

1. Menos de 5 mm entre la parte superior del lavavajillas y la encimera; pared exterior alineada con los armarios.



2. Si el lavavajillas se instala cerca de una esquina, deje una distancia de seguridad para abrir la puerta.



### NOTA:

Según la ubicación de la toma de corriente, es posible que deba recortar una apertura en la pared lateral del armario adyacente.

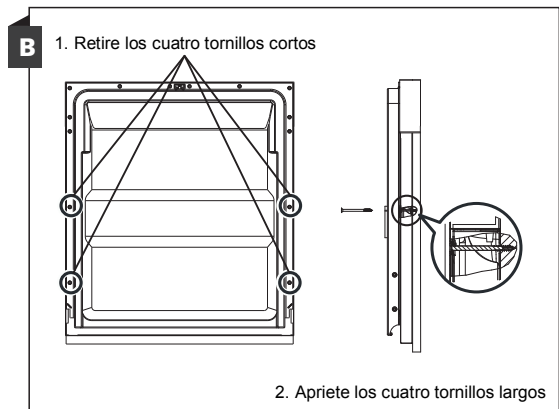
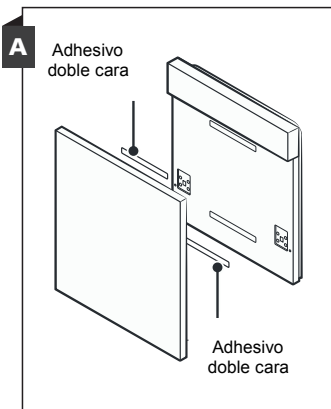
## Etapa 2. Dimensiones e instalación del panel embellecedor



**El panel embellecedor de madera se debe recortar según las dimensiones indicadas en el esquema de instalación.**

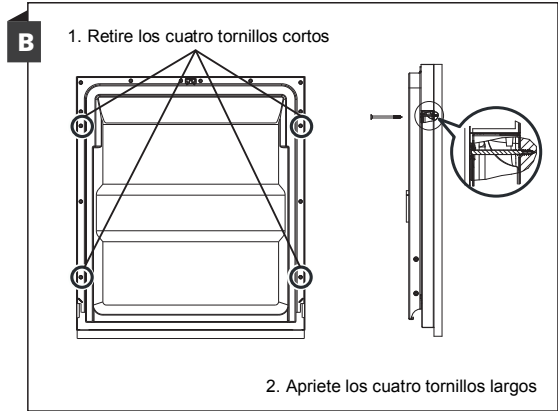
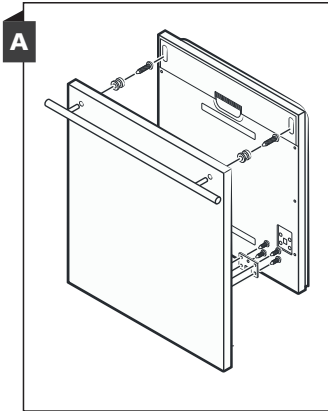
### Modelo semi-integrable

Separe las caras A y B del adhesivo doble cara, pégue la cara A en el panel embellecedor de madera y la cara B con fieltro en la puerta exterior del lavavajillas (ver figura A). Después de colocar el panel, fíjelo a la puerta con tornillos y tuercas (ver figura B).



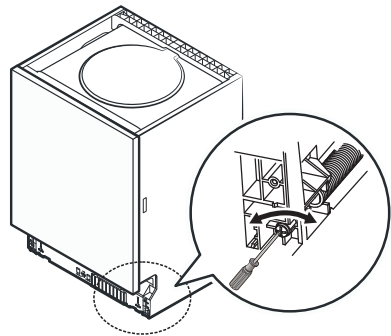
## Modelo integrable

Instale el gancho en el panel embellecedor de madera e insértelo en la ranura de la puerta del lavavajillas (ver figura A). Después de colocar el panel, fíjelo a la puerta con tornillos y tuercas (ver figura B).



## Etapa 3. Ajuste de la tensión del muelle de la puerta

1. Los muelles de la puerta van ajustados de fábrica a una tensión adecuada para la puerta exterior. Si instala un panel embellecedor de madera, deberá ajustar la tensión del muelle de la puerta. Gire el tornillo de ajuste para tensar o aflojar el cable de acero.
2. La tensión del muelle de la puerta es ideal cuando la puerta permanece horizontal, cuando está completamente abierta, pero aumenta para cerrar con un ligero toque del dedo.



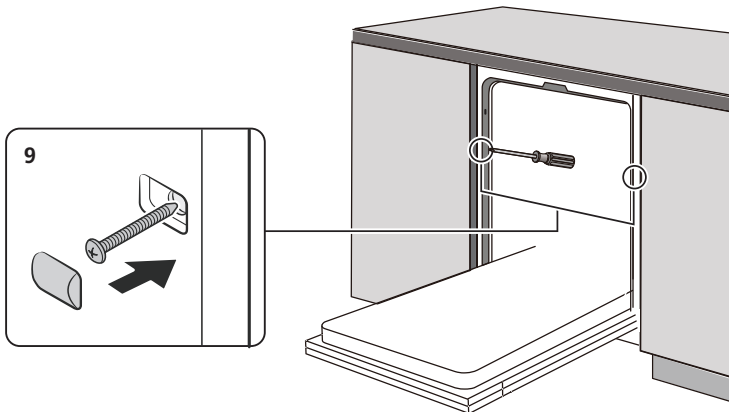


## Etapa 4. Etapas de instalación del lavavajillas



Consulte las etapas de instalación mostradas en los esquemas de instalación.

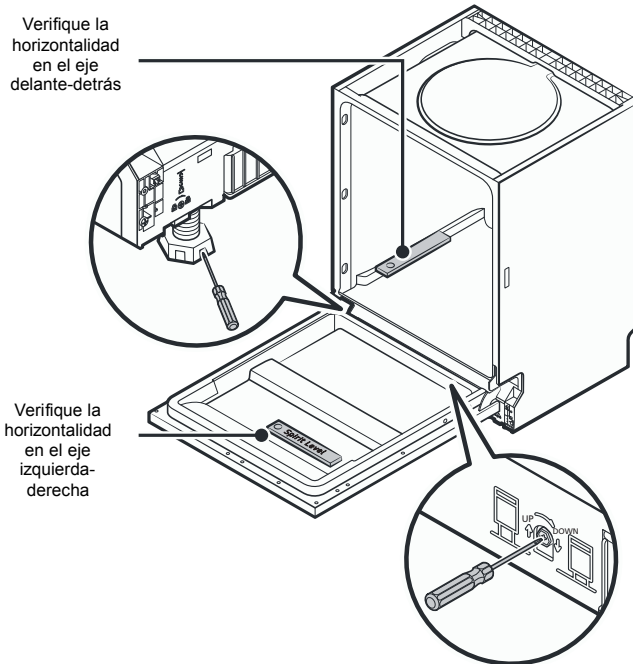
1. Fije la tira de condensación bajo la encimera. Verifique que la tira de condensación esté alineada al borde de la encimera. (Etapa 2)
2. Conecte el tubo de suministro de agua al conducto de suministro de agua fría.
3. Conecte el tubo de desagüe.
4. Conecte el cable de alimentación.
5. Coloque el lavavajillas en el lugar deseado. (Etapa 4)
6. Nivele el lavavajillas. Puede ajustar la pata trasera desde la parte delantera del lavavajillas girando el tornillo cruciforme situado en el medio de la base del lavavajillas con un destornillador cruciforme. Para ajustar la pata delantera, gírela con un destornillador plano hasta que el lavavajillas esté nivelado. (Etapas 5 a 6)
7. Instale el panel embellecedor en la puerta exterior del lavavajillas. (Etapas 7 a 10)
8. Ajuste la tensión de los muelles de la puerta con una llave Allen girando en sentido horario para tensar los muelles a la derecha y a la izquierda. De lo contrario, podría dañarse el lavavajillas. (Etapa 11)
9. El lavavajillas debe estar correctamente fijado. Fije el panel lateral con tornillos. Se puede fijar de dos maneras:



## Etapa 5. Nivelación del lavavajillas

El lavavajillas debe estar nivelado para una carga correcta y un buen rendimiento de lavado.

1. Ponga un nivelador sobre la puerta y sobre la guía de la bandeja interior de la cuba, como se muestra en la imagen, para asegurarse de que el lavavajillas esté totalmente horizontal.
2. Ponga el aparato nivelado ajustando individualmente las tres patas de ajuste.
3. Al nivelarlo, asegúrese de que el lavavajillas no se vuelque.



### NOTA:

La altura máxima de ajuste de las patas es de 50 mm.

# RESOLUCIÓN DE PROBLEMAS

## Antes de llamar al servicio técnico

Consulte las siguientes tablas antes de llamar al servicio técnico.

Problema	Causas posibles	Qué hacer
El lavavajillas no arranca	Se ha fundido un fusible o ha saltado el disyuntor	Cambie el fusible o rearme el disyuntor. Desconecte los demás aparatos que utilicen el mismo circuito que el lavavajillas.
	El aparato no está enchufado.	Verifique que el lavavajillas bajo tensión y que la puerta está bien cerrada. Verifique que el cable de alimentación está bien conectado a la red eléctrica.
	La presión de agua es baja	Verifique que la entrada de agua está bien conectada y que el grifo está abierto.
	La puerta del lavavajillas no está bien cerrada	Asegúrese de cerrar bien la puerta y el pestillo.
El lavavajillas no bombea agua	El tubo de vaciado está doblado o aplastado	Compruebe el estado del tubo de vaciado.
	El filtro está obstruido.	Compruebe el estado del filtro primario.
	El fregadero está obstruido.	Verifique el estado del fregadero para asegurarse de que no está obstruido. Si el agua del fregadero no se evacua correctamente, puede que tenga que llamar a un fontanero en vez de a un técnico especializado en lavavajillas.
Espuma en la cuba	El detergente no es adecuado.	Utilice solo detergente de lavavajillas para evitar la formación de espuma. En tal caso, abra el lavavajillas y deje que se evapore la espuma. Añada 4 litros de agua fría en el fondo del lavavajillas. Cierre la puerta del lavavajillas y

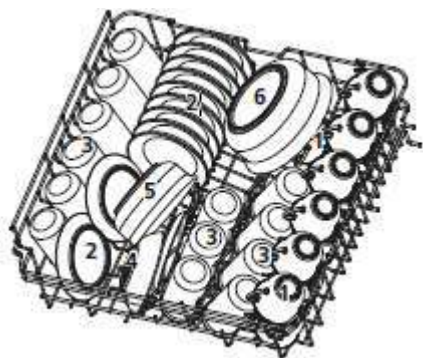
<b>Problema</b>	<b>Causas posibles</b>	<b>Qué hacer</b>
		seleccione cualquier ciclo. El lavavajillas empezará a vaciar el agua. Abra la puerta cuando termine el vaciado y compruebe que haya desaparecido la espuma. Repita la operación en caso necesario.
	Se ha derramado abrillantador.	Limpe siempre inmediatamente cualquier abrillantador derramado.
Interior de la cuba manchado	Se ha utilizado un detergente con colorante.	Verifique que el detergente utilizado no contenga colorantes.
Película blanca en las superficies internas	Son minerales presentes en el agua dura	Para limpiar las paredes interiores, use una esponja húmeda con detergente para lavavajillas y utilice guantes de goma. No utilice nunca otros productos que aptos para lavavajillas para evitar la formación de espuma.
Manchas de óxido en los cubiertos	Los cubiertos manchados no son resistentes a la corrosión.	Evite colocar en el lavavajillas cubiertos que no resistan la corrosión.
	No se ha lanzado ningún programa después de añadir sal de lavavajillas. Las manchas de sal aparecen durante el ciclo de lavado.	Lance siempre un programa de lavado en vacío después de añadir sal. No seleccione la función Turbo (si está disponible) después de añadir sal.
	La tapa del ablandador no está bien cerrada	Compruebe que la tapa del ablandador está bien cerrada.
Ruido de golpes en el interior del lavavajillas	Uno de los brazos aspersores choca contra uno de los utensilios presentes en la bandeja inferior.	Pare el programa y coloque bien los utensilios que bloquean el brazo aspersor.
Ruido de tintineo en el interior del lavavajillas	Cubiertos sueltos dentro del lavavajillas	Pare el programa y coloque bien los cubiertos.

<b>Problema</b>	<b>Causas posibles</b>	<b>Qué hacer</b>
Ruido de choques en los conductos de agua	Esto puede deberse a la instalación o a las secciones de los conductos.	No afecta en nada al rendimiento del lavavajillas. Si tiene dudas, recurra a un fontanero cualificado.
La vajilla no está limpia	La vajilla no se ha colocado bien en el lavavajillas	Consulte la PARTE II «Preparación y carga de la vajilla».
	Programa seleccionado no suficientemente potente	Seleccione un programa más intensivo.
La vajilla no está limpia	Cantidad de detergente insuficiente	Añada detergente o cambie de detergente.
	Hay utensilios que bloquean el recorrido de los brazos aspersores	Coloque bien los utensilios para que los brazos aspersores puedan girar libremente.
	El dispositivo de filtrado no está limpio o no está conectado correctamente a la base del lavavajillas. Esto podría obstruir las boquillas de los brazos aspersores.	Limpie o coloque correctamente el dispositivo de filtrado. Limpie los brazos aspersores.
Vasos empañados.	Combinación de agua blanda con demasiado detergente	Utilice menos detergente si el agua es blanda y seleccione un ciclo más corto para lavar la cristalería y obtener una limpieza impecable.
Manchas blancas en utensilios y vasos.	El agua dura puede causar depósitos de cal.	Añada detergente.
Marcas negras o grises en la vajilla	Los utensilios de aluminio se han frotado contra la vajilla	Limpie la vajilla con un producto abrasivo suave para eliminar las marcas.
Restos de detergente en el depósito	Hay utensilios que bloquean el depósito de detergente	Coloque bien la vajilla en el lavavajillas.

<b>Problema</b>	<b>Causas posibles</b>	<b>Qué hacer</b>
La vajilla no está seca	Mala colocación de los utensilios	Siga las instrucciones de carga del lavavajillas.
	La vajilla se ha sacado demasiado pronto	No vacíe el lavavajillas inmediatamente después del ciclo de lavado. Abra ligeramente la puerta para que el vapor salga. Espere a que la temperatura interior del lavavajillas baje lo suficiente como para descargar la vajilla. Vacíe primero la bandeja inferior para evitar que el agua de la bandeja superior caiga sobre ella.
La vajilla no está seca	El programa seleccionado no es adecuado.	Con un programa corto, la temperatura de lavado es menos fuerte, lo que reduce la eficacia de lavado. Seleccione un programa largo.
	Los cubiertos tienen un revestimiento de mala calidad.	La evacuación del agua resulta más difícil en los revestimientos de mala calidad. Los cubiertos o fuentes de este tipo no deben lavarse en lavavajillas.

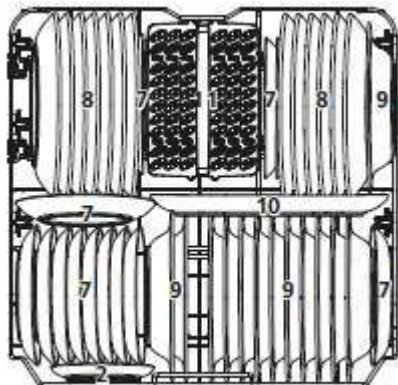
# PROCEDIMIENTO DE LLENADO DE LAS BANDEJAS SEGÚN LA NORMA 50242:

## 1. Bandeja superior:



Número	Tipo de vajilla
1	Tazas
2	Platillos
3	Vasos
4	Boles pequeños
5	Boles medianos
6	Ensaladeras

## 2. Bandeja inferior:

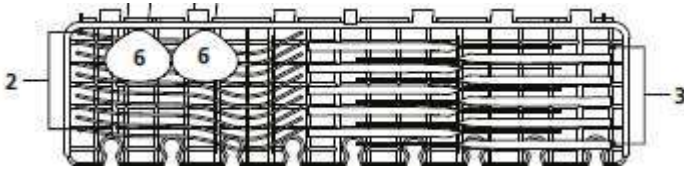


Número	Tipo de vajilla
7	Platos de postre
8	Platos llanos
9	Platos hondos
10	Fuentes ovaladas
11	Cesto de cubiertos

### ⚠ ADVERTENCIA

Si no se respetan las consignas de carga del lavavajillas puede obtenerse una mala calidad de lavado.

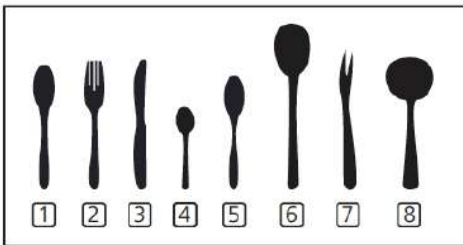
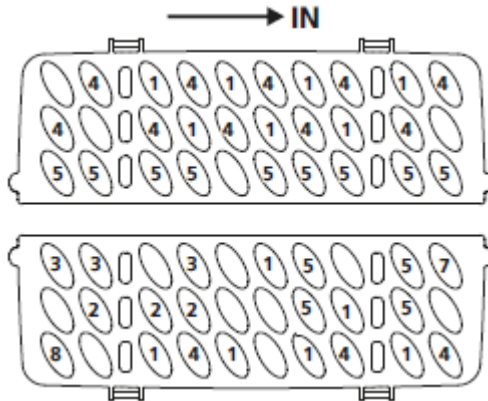
### 3. Bandeja de cubiertos:



#### NOTA:

Coloque los utensilios planos y ligeros en la rejilla. El peso total es inferior a 1,5 kg.

### 4. Cesto de cubiertos:



Número	Tipo de vajilla
1	Cucharas de sopa
2	Tenedores
3	Cuchillos
4	Cucharas de té
5	Cucharas de postre
6	Cucharas para servir
7	Tenedores para servir
8	Cucharas de salsa

Informaciones para las pruebas de comparabilidad según la norma EN 50242:  
Capacidad: 13 cubiertos

Posición de la bandeja superior: baja

Programa: ECO

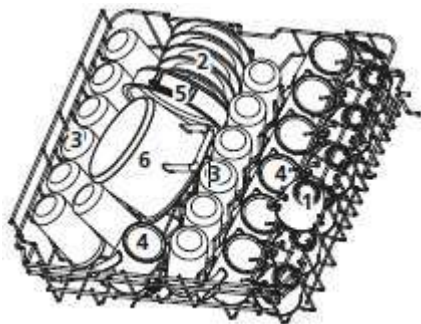
Número de modos con distribución del abrillantador: posición 5

Ajuste del ablandador: H3



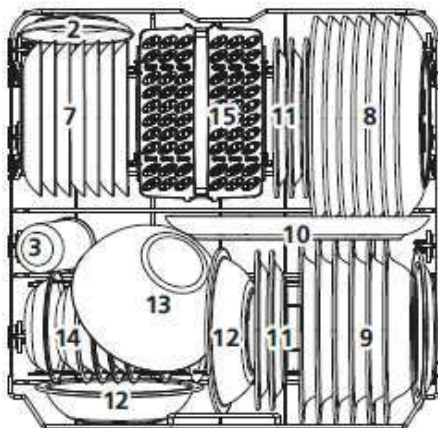
# PROCEDIMIENTO DE LLENADO DE LAS BANDEJAS SEGÚN LA NORMA EN60436:

## 1. Bandeja superior:



Número	Tipo de vajilla
1	Tazas
2	Platillos
3	Vasos
4	Tazas grandes
5	Olla
6	Cacerola pequeña

## 3. Bandeja inferior:

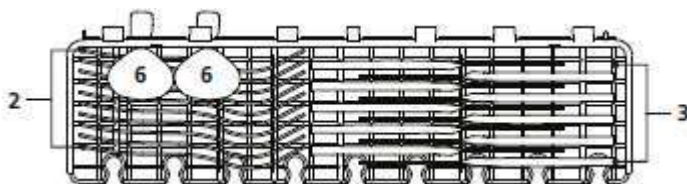


Número	Tipo de vajilla
7	Platos de postre
8	Platos llanos
9	Platos hondos
10	Fuente ovalada
11	Platos de postre de melamina
12	Boles de melamina
13	Boles de cristal
14	Boles de postre
15	Cesto de cubiertos

### ⚠ ADVERTENCIA

Si no se respetan las consignas de carga del lavavajillas puede obtenerse una mala calidad de lavado.

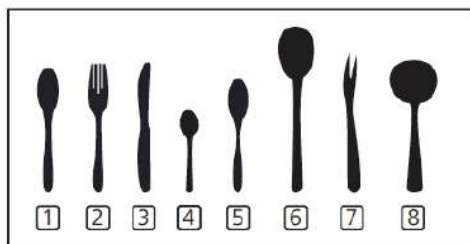
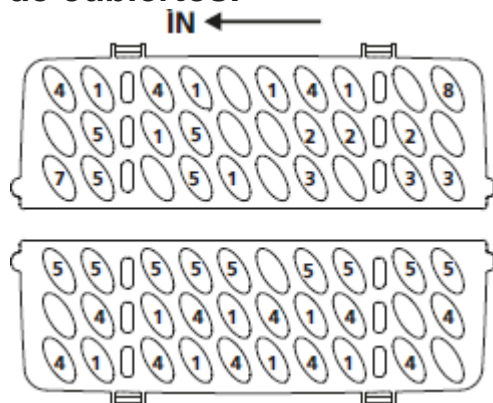
### 3. Bandeja de cubiertos:



#### ⚡ **NOTA:**

Coloque los utensilios planos y ligeros en la rejilla. El peso total es inferior a 1,5 kg.

### 4. Cesto de cubiertos:



Informaciones para las pruebas de comparabilidad según la norma EN 60436:

Capacidad: 13 cubiertos

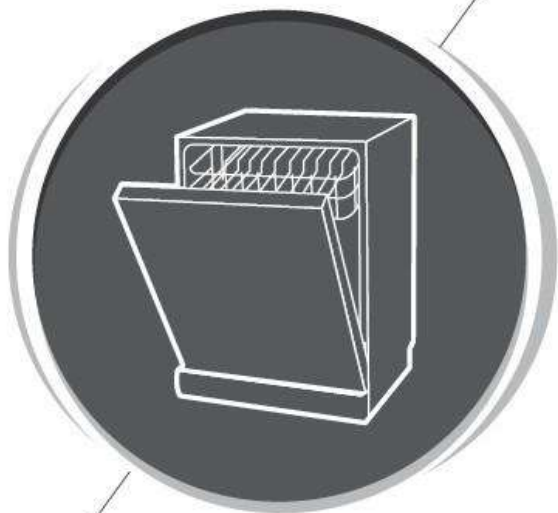
Posición de la bandeja superior: baja

Programa: ECO

Número de modos con distribución del abrillantador: posición 5

Ajuste del ablandador: H3

Número	Tipo de vajilla
1	Cucharas de sopa
2	Tenedores
3	Cuchillos
4	Cucharas de té
5	Cucharas de postre
6	Cucharas para servir
7	Tenedores para servir
8	Cucharas de salsa



# **Lavavajillas**

## **Manual de instrucciones**

**PARTE II: Versión especial**

# ÍNDICE

01

- 4 **USO DEL LAVAVAJILLAS**
- 4 Panel de control
- 6 Ablandador de agua
- 7 Preparación y carga de la vajilla
- 10 Función del abrillantador y del detergente
- 11 Llenado del depósito de abrillantador
- 12 Llenado del depósito de detergente

02

- 13 **PROGRAMACIÓN DEL LAVAVAJILLAS**
- 13 Tabla de ciclos de lavado
- 15 Cómo lanzar un ciclo de lavado
- 15 Cómo cambiar de programa durante un ciclo
- 16 Cómo añadir vajilla

03

- 17 **CÓDIGOS DE ERROR**

04

- 18 **CARACTERÍSTICAS TÉCNICAS**

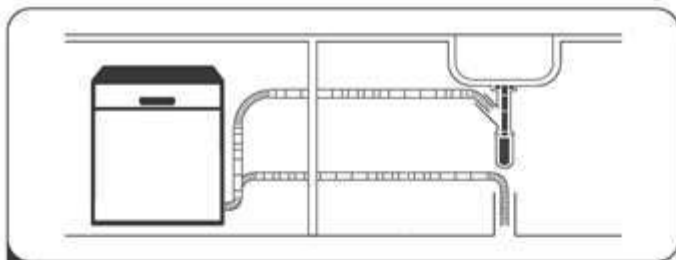


## NOTA:

- Si no logra solucionar el problema usted mismo, pida ayuda a un técnico profesional.
- Siguiendo con la política de evolución y mejora continua de los productos, el fabricante se reserva el derecho de modificar sus productos sin previo aviso.
- Si pierde este modo o si no está actualizado, puede solicitar uno nuevo al fabricante o al proveedor responsable.

# PRIMEROS PASOS

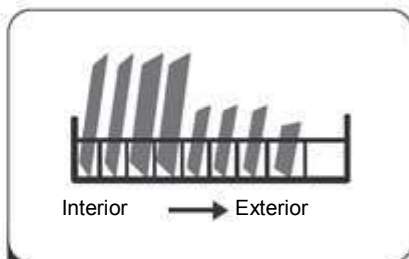
Para más información sobre el funcionamiento del aparato, lea la sección correspondiente del manual de instrucciones.



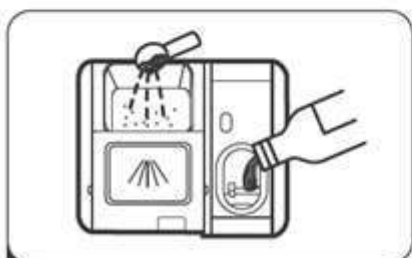
- 1** Instale el lavavajillas.  
(consulte la sección 5 «Normas de instalación» de la PARTE I: versión general).



- 2** Elimine los principales restos de comida de la vajilla



- 3** Coloque la vajilla sucia



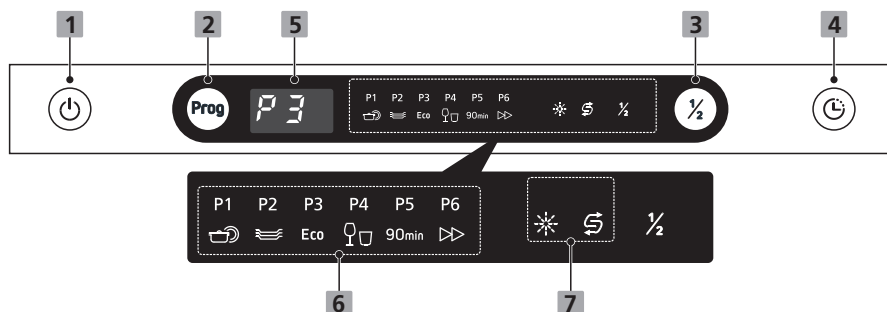
- 4** Llene el depósito de detergente



- 5** Seleccione un programa y ponga en marcha el lavavajillas.

# PRIMEROS PASOS



## Panel de mandos







### Función (botón)

1	<b>Encendido/A pagado</b>	Pulse este botón para encender el lavavajillas.
2	<b>Programa</b>	Seleccione el programa de lavado deseado. Se encenderá el piloto correspondiente.
3	<b>Media carga</b>	Si tiene unos 6 cubiertos o menos por lavar, seleccione esta función para ahorrar agua y energía. (Función solo compatible con los programas Intensivo, ECO y 90 min).
4	<b>Inicio diferido</b>	Pulse el botón Inicio diferido para retrasar el arranque de ciclo. Puede retrasar un ciclo hasta 24 horas en intervalos de una hora.

### Pantalla

5	<b>Pantalla</b>	Indica el tiempo restante, el tiempo antes del inicio diferido, los códigos de error, etc.
6	<b>Indicador de programa</b>	<p> <b>Intensivo</b> Para vajilla muy sucia y cacerolas, sartenes y platos con un nivel de suciedad normal, pero con restos secos.</p> <p> <b>Universal</b> Para la vajilla con un nivel de suciedad normal, sobre todo cacerolas, platos, vasos y sartenes ligeramente sucios.</p>

## Pantalla

<p>6 <b>Indicador de programa</b></p>	<p><b>Eco ECO</b> Este programa estándar conviene para vajilla con un nivel de suciedad medio. Es el programa más eficaz en términos de ahorro de energía y agua para este tipo de vajilla.</p> <p> <b>Cristal</b> Para la vajilla y los vasos ligeramente sucios.</p> <p>90min <b>90 min</b> Para vajilla con un nivel de suciedad normal que requiere un lavado rápido.</p> <p> <b>Rápido</b> Un ciclo corto para vajilla algo sucia que no requiere secado.</p>
<p>7 <b>Pilotos de alarma</b></p>	<p> <b>Abrillantador</b> Si el indicador « ✨ » está encendido, significa que el nivel de abrillantador en el lavavajillas es demasiado bajo y que hay que añadir.</p> <p> <b>Sal</b> Si el indicador « S » está encendido, significa que el nivel de sal en el lavavajillas es demasiado bajo y que hay que añadir.</p>

### **Atención**

- No se recomienda realizar un prelavado manual de la vajilla, ya que aumenta el consumo de agua y energía.
- Generalmente, al lavar la vajilla en lavavajillas se suele utilizar menos energía y agua que a mano, siempre y cuando se haga respetando las indicaciones del fabricante del electrodoméstico.

# Ablandador de agua

El ablandador de agua se debe programar manualmente mediante la ruedecilla de selección de dureza de agua.

El ablandador está diseñado para eliminar del agua los minerales y la sal susceptibles de dañar el funcionamiento del aparato.

Cuanto más minerales, más dura es el agua.

El ablandador debe ajustarse en función de la dureza del agua en su región. Contacte con el Servicio de Aguas local para informarse sobre la dureza del agua de su región.

## Ajuste del consumo de sal

Este lavavajillas está diseñado para poder ajustar la cantidad de sal consumida según la dureza del agua utilizada. Esta función permite optimizar y personalizar el consumo de sal del lavavajillas.

Para ajustarlo, siga el procedimiento explicado a continuación:

1. Encienda el aparato.
2. En los 60 segundos siguientes al encendido del aparato, pulse el botón Programa durante más de 5 segundos para iniciar el modo de ajuste del ablandador de agua.
3. Pulse el botón Programa para seleccionar el ajuste correspondiente a la dureza del agua en su región. Los parámetros desfilan en el siguiente orden: H1->H2->H3->H4->H5->H6;
4. No pulse ningún botón durante 5 segundos ni el botón Encendido/Apagado para guardar el parámetro seleccionado y salir de los ajustes.

DUREZA DEL AGUA				Nivel del ablandador de agua	Consumo de sal (gramos/ciclo)
°dH (Alemania)	°fH (Francia)	°Clarke (Reino Unido)	Mmol/l		
0 - 5	0 - 9	0 - 6	0 - 0,94	H1	0
6 - 11	10 - 20	7 - 14	1,0 - 2,0	H2	9
12 - 17	21 - 30	15 - 21	2,1 - 3,0	H3	12
18 - 22	31 - 40	22 - 28	3,1 - 4,0	H4	20
23 - 34	41 - 60	29 - 42	4,1 - 6,0	H5	30
35 - 55	61 - 98	43 - 69	6,1 - 9,8	H6	60

1 °dH = 1,25 °Clarke = 1,78 °fH = 0,178 mmol/l

Configuración de fábrica: H3

Contacte con el Servicio de Aguas local para informarse sobre la dureza del agua de su región.





Consulte la sección 3 «Carga de sal en el ablandador» de la PARTE I: versión general si falta sal en el lavavajillas.

## **NOTA:**

**Si su modelo no está equipado con un ablandador de agua, puede obviar este apartado. Ablandador de agua**

La dureza del agua varía según las regiones. Si el lavavajillas se utiliza con agua dura quedarán rastros en la vajilla.

El aparato está equipado con un ablandador especial con un depósito de sal específicamente diseñado para eliminar la cal y los minerales del agua.

## **Preparación y carga de la vajilla**

---

- Compre siempre vajilla que lleve la mención «lavable en lavavajillas».
- Para los platos o utensilios frágiles, seleccione un programa que funcione con la temperatura más baja posible.
- No saque los vasos y los cubiertos del lavavajillas inmediatamente después del final del programa para evitar cualquier deterioro.

### **Lavado de cubiertos y platos**

#### **No convienen**

Cubiertos de madera, porcelana o nácar

- Objetos de plástico no resistentes al calor
- Cubiertos antiguos con elementos pegados no resistentes a altas temperaturas
- Cubiertos o platos con partes o

fragmentos pegados

- Objetos de estaño o de cobre
- Vasos de cristal
- Objetos de acero oxidable
- Fuentes de madera
- Objetos fabricados de fibras sintéticas

#### **Convienen con limitación**

- Algunos tipos de cristal pueden volverse opacos tras un cierto número de lavados
- Las piezas de plata y de aluminio tienden a decolorarse con el lavado
- Los motivos barnizados pueden difuminarse si se lavan regularmente en el lavavajillas

## Recomendaciones de carga del lavavajillas

Retire los restos de alimentos que queden en la vajilla y los cubiertos.

Ablande los restos de alimentos quemados en sartenes y cacerolas. No es necesario aclarar las fuentes ni platos previamente.

Para garantizar un rendimiento óptimo del lavavajillas, respete las siguientes indicaciones. **(Las funciones y la forma de las bandejas y del cesto de cubiertos pueden variar según los modelos)**

La vajilla se debe colocar en el lavavajillas del siguiente modo:

- Los artículos tales como tazas, vasos, cacerolas, sartenes, etc. se colocan al revés.
- Los elementos huecos o con cavidades deben inclinarse para que el agua pueda escurrirse.
- Todos los utensilios se deben colocar de modo que quepan y no se vuelquen.
- Todos los utensilios se deben colocar dejando espacio suficiente para que los brazos aspersores puedan girar libremente durante el lavado.
- Los objetos hondos tales como tazas, vasos, cacerolas, etc. se deben colocar al revés para que no se acumule agua en el interior.
- Los platos y los cubiertos no se deben colocar unos dentro de otros ni solaparse. Evite que los vasos se toquen para evitar que se desgasten.
- La bandeja superior es para la vajilla más delicada y ligera, como los vasos y las tazas.
- Los cuchillos de hoja larga son peligrosos si se colocan hacia arriba.
- Los cubiertos largos y cortantes, tales como los cuchillos trinchantes, se deben colocar horizontalmente en la bandeja superior.
- No sobrecargue el lavavajillas. De este modo obtendrá mejores resultados de lavado y limitará el consumo de energía.



### NOTA:

Evite lavar objetos muy pequeños en el lavavajillas, ya que se pueden caer de las bandejas fácilmente.



### ADVERTENCIA



**¡La vajilla puede estar muy caliente!** Al final del programa, espere unos 15 minutos antes de sacar los vasos y los cubiertos del lavavajillas para evitar cualquier daño personal o material.

## Llenado de la bandeja superior

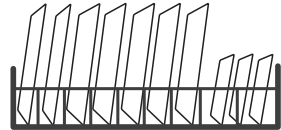
La bandeja superior está diseñada para objetos más delicados y ligeros, como vasos, tazas, platillos, platos, boles y sartenes y cacerolas poco profundas (si no están demasiado sucias). Coloque los platos y los cubiertos de manera que no se puedan mover bajo la presión del agua.



## Llenado de la bandeja inferior

Le aconsejamos colocar la vajilla más grande y más difícil de limpiar en la bandeja inferior (cacerolas, sartenes, tapas, fuentes y ensaladeras) como se muestra a continuación. Es mejor poner las fuentes y los cubiertos de servicio en los laterales para evitar bloquear la rotación de los brazos aspersores.

El diámetro máximo recomendado para los platos situados frente al depósito de detergente es de 19 cm para que no obstruyan su apertura.



## Llenado del cesto de cubiertos

Los cubiertos deben colocarse en el cesto de cubiertos, separados entre sí y en una posición adecuada, sin juntarse, para garantizar un rendimiento de lavado óptimo.

### ADVERTENCIA



No deje sobresalir ningún cubierto por la parte inferior del cesto.

Ponga siempre los cubiertos trinchantes boca abajo.



Para optimizar el rendimiento del lavado, llene los cestos de acuerdo con las opciones de llenado estándares indicadas en la última sección de la PARTE I: versión general

## Función del abrillantador y del detergente


El abrillantador se suelta en la fase de aclarado final para evitar que el agua forme gotas sobre la vajilla y que no deje rastros. También mejora el secado para que el agua de las fuentes se escurra mejor. Su lavavajillas está diseñado para abrillantadores líquidos.

### ADVERTENCIA

Utilice siempre un abrillantador de marca y específicamente diseñado para lavavajillas. No eche otras sustancias en el distribuidor de abrillantador (p. ej.: producto de lavavajillas, detergente líquido), ya que se estropearía el electrodoméstico.

### ¿Cuándo poner abrillantador?

La frecuencia de llenado del depósito depende de la frecuencia de lavado y del ajuste definido.

- El piloto de bajo nivel de abrillantador (  ) se enciende cuando hay que añadir abrillantador.
- No llene el depósito de abrillantador en exceso.

### Función de detergente

Los ingredientes químicos que componen el detergente son necesarios para eliminar, descomponer y evacuar la suciedad del lavavajillas. La mayoría de los detergentes comercializados son aptos para este uso.

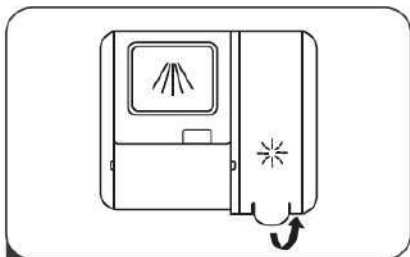
### ADVERTENCIA

- **Uso del detergente**  
Utilice solo detergentes para lavavajillas. Conserve siempre el detergente en un lugar fresco y seco.  
No ponga detergente en polvo en el depósito si no va a lanzar un ciclo de lavado.

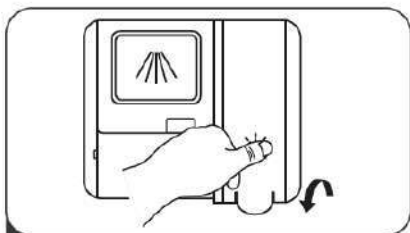


**Los detergentes para lavavajillas son corrosivos.**  
**Mantenga el detergente fuera del alcance de los niños.**

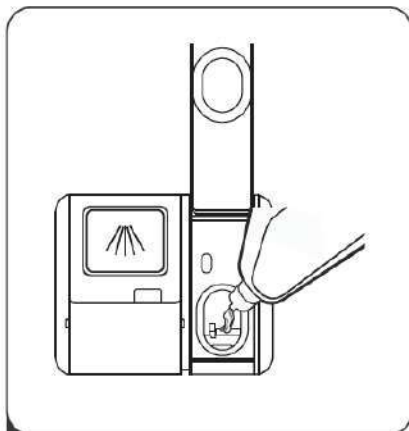
## Llenado del depósito de abrillantador



- 1** Saque la tapa del depósito de abrillantador tirando del asa.



- 3** Una vez terminado, cierre la tapa.



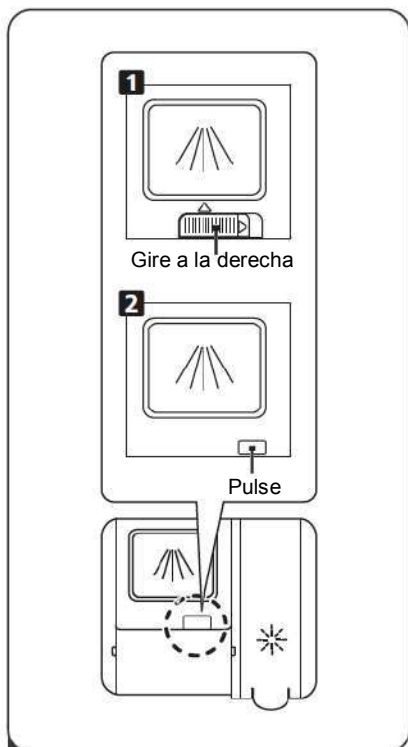
- 2** Vierta el abrillantador en el depósito controlando que no supere el nivel máximo.

## Ajuste del depósito de abrillantador

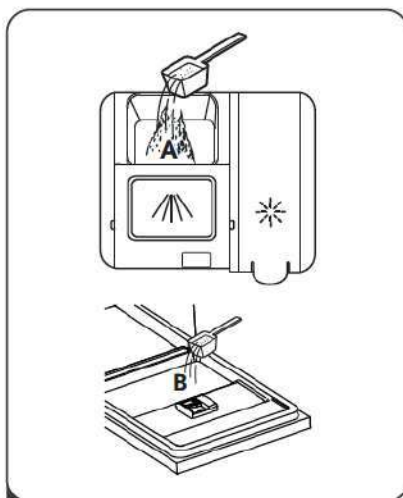
Para obtener un rendimiento de secado óptimo con una cantidad mínima de abrillantador, el lavavajillas está diseñado para ajustar el consumo según el uso previsto. Siga los pasos indicados a continuación.

1. Cierre la puerta y encienda el aparato.
2. En los 60 segundos posteriores desde la etapa 1, pulse el botón Programa durante más de 5 segundos y luego el botón Inicio diferido para acceder al modo de ajuste. El piloto de alarma de abrillantador parpadea con una frecuencia de 1 Hz.
3. Pulse el botón Programa para seleccionar el ajuste correspondiente a sus hábitos de uso. Los parámetros desfilan en el siguiente orden: D1->D2->D3->D4->D5->D1.  
Cuanto más elevada sea la cifra, más abrillantador utilizará el lavavajillas.
4. No pulse ningún botón durante 5 segundos ni el botón Encendido/Apagado para guardar el parámetro seleccionado y salir de los ajustes.

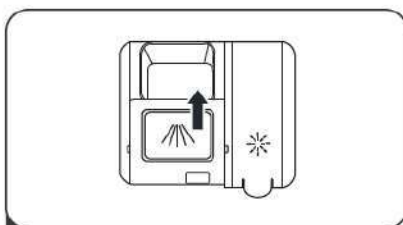
# Llenado del depósito de detergente



- 1** Elija el método de apertura que corresponda al aparato.
1. Abra la tapa deslizando el pestillo de apertura.
  2. Abra la tapa presionando el pestillo de apertura.



- 2** Añada detergente en el depósito más grande (A) para el ciclo de lavado principal.
- Para un rendimiento de limpieza óptimo, especialmente si su vajilla está muy sucia, vierta una pequeña cantidad de detergente en la puerta. El detergente adicional se activará durante la fase de prelavado.



- 3** Para cerrar la tapa, deslícela hacia adelante y luego presiónela.

## ⚡ NOTA:



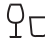

- Los ajustes pueden variar en función de la suciedad del agua.
- Siga las recomendaciones del fabricante indicadas en el embalaje del detergente.

# PROGRAMACIÓN DEL LAVAVAJILLAS

## Tabla de ciclos de lavado

La siguiente tabla muestra los programas más adecuados según el nivel de suciedad de la vajilla y la cantidad de detergente necesario. También proporciona información sobre los programas.

(●) significa que hay que llenar el depósito de abrillantador.

Programa	Descripción del ciclo	Detergente ciclo prelavado/principal	Duración (min)	Energía (Kwh)	Agua (L)	Abrillantador
 Intensivo	Prelavado (50 °C) Lavado (65 °C) Aclarado Aclarado (65 °C) Secado	5/27,5g (1 o 2 dosis)	205	1,6	17,8	●
 Universal	Prelavado (45 °C) Lavado (55 °C) Aclarado Aclarado (65 °C) Secado	5/27,5g (1 o 2 dosis)	175	1,3	14,2	●
<b>Eco</b> (*EN 50242)	Prelavado Lavado (45 °C) Aclarado (60 °C) Secado	5/27,5g (1 o 2 dosis)	230	0,923	11	●
 Cristal	Prelavado Lavado (50 °C) Aclarado Aclarado (65 °C) Secado	5/27,5g (1 dosis)	120	1,1	14,2	●
90min 90 min	Lavado (60 °C) Aclarado Aclarado (65 °C) Secado	32,5g (1 dosis)	90	1,35	11,5	●
 Rápido	Lavado (50 °C) Aclarado Aclarado (45 °C)	25g	30	0,751	11,2	●

### **NOTA:**



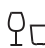

#### **EN 50242:**

Este programa es el ciclo de prueba. Informaciones para las pruebas de comparabilidad según la norma EN 50242. Los valores dados para programas distintos del programa Eco son meramente indicativos.

# Tabla de ciclos de lavado

La siguiente tabla muestra los programas más adecuados según el nivel de suciedad de la vajilla y la cantidad de detergente necesario. También proporciona información sobre los programas.

(●) significa que hay que llenar el depósito de abrillantador.

Programa	Descripción del ciclo	Detergente ciclo prelavado/principal	Duración (min)	Energía (Kwh)	Agua (L)	Abrillantador
 Intensivo	Prelavado (50 °C) Lavado (65 °C) Aclarado Aclarado (65 °C) Secado	4/17 g (1 o 2 dosis)	205	1,6	17,8	●
 Universal	Prelavado (45 °C) Lavado (55 °C) Aclarado Aclarado (65 °C) Secado	4/17 g (1 o 2 dosis)	175	1,3	14,2	●
<b>Eco</b> (*EN 60436)	Prelavado Lavado (45 °C) Aclarado (60 °C) Secado	4/17 g (1 o 2 dosis)	230	0,937	11	●
 Cristal	Prelavado Lavado (50 °C) Aclarado Aclarado (65 °C) Secado	4/17 g (1 dosis)	120	1,1	14,2	●
90 min 90 min	Lavado (60 °C) Aclarado Aclarado (65 °C) Secado	21 g (1 dosis)	90	1,35	12,5	●
 Rápido	Lavado (50 °C) Aclarado Aclarado (45 °C)	20 g (1 o 2 dosis)	30	0,751	11,2	●

## **NOTA:**

### **EN 60436:**

Este programa es el ciclo de prueba. Informaciones para las pruebas de comparabilidad según la norma EN 60436.

Los valores dados para programas distintos del programa Eco son meramente indicativos.



## Cómo lanzar un ciclo de lavado

---

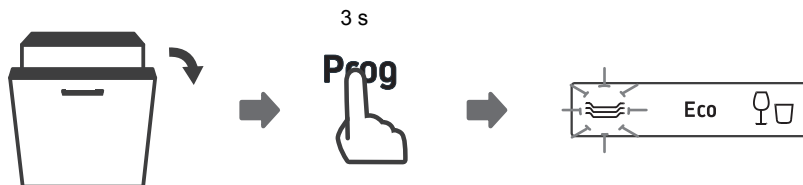
1. Saque la bandeja inferior y la superior, ponga la vajilla y empuje las bandejas hacia dentro. Le recomendamos llenar primero la bandeja inferior y luego la superior.
2. Eche el detergente.
3. Conecte el aparato. Para más información sobre la alimentación eléctrica requerida, consulte la última página "Ficha del producto". Asegúrese de que la llave de agua esté abierta para garantizar un nivel de presión máximo.
4. Cierre la puerta y pulse el botón Encendido/Apagado.
5. Seleccione un programa. El piloto correspondiente se encenderá. Cierre la puerta. El lavavajillas inicia su ciclo de lavado.

## Cómo cambiar de programa durante un ciclo

---

Solo puede cambiar el ciclo de lavado al comienzo del ciclo, porque después el detergente ya habrá sido liberado y puede que el lavavajillas haya vaciado el agua de lavado. En tal caso, debe reiniciar el lavavajillas y rellenar de nuevo el depósito de detergente. Para reiniciar el lavavajillas, siga las instrucciones mostradas a continuación:

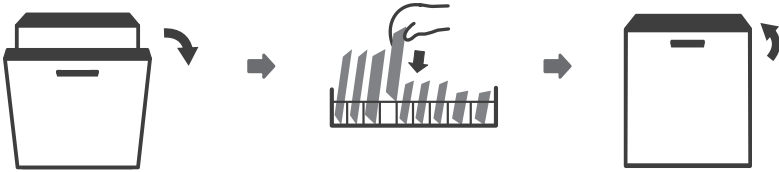
1. Abra un poco la puerta para detener el lavavajillas. En cuanto los brazos aspersores se paren, puede abrir la puerta completamente.
2. Pulse el botón Programa durante al menos 3 segundos para poner el aparato en modo espera.
3. Puede cambiar el programa seleccionando el ciclo deseado.



# Cómo añadir vajilla

Se puede añadir vajilla en todo momento antes de llenar el depósito de detergente. Siga el procedimiento explicado a continuación:

1. Abra un poco la puerta para detener el ciclo de lavado.
2. En cuanto los brazos aspersores se paren, puede abrir la puerta completamente.
3. Ponga la vajilla olvidada dentro del aparato.
4. Cierre la puerta.
5. El lavavajillas se pone de nuevo en marcha.



## ADVERTENCIA



Abrir la puerta durante un ciclo es peligroso: el vapor caliente puede quemar.

# CÓDIGOS DE ERROR

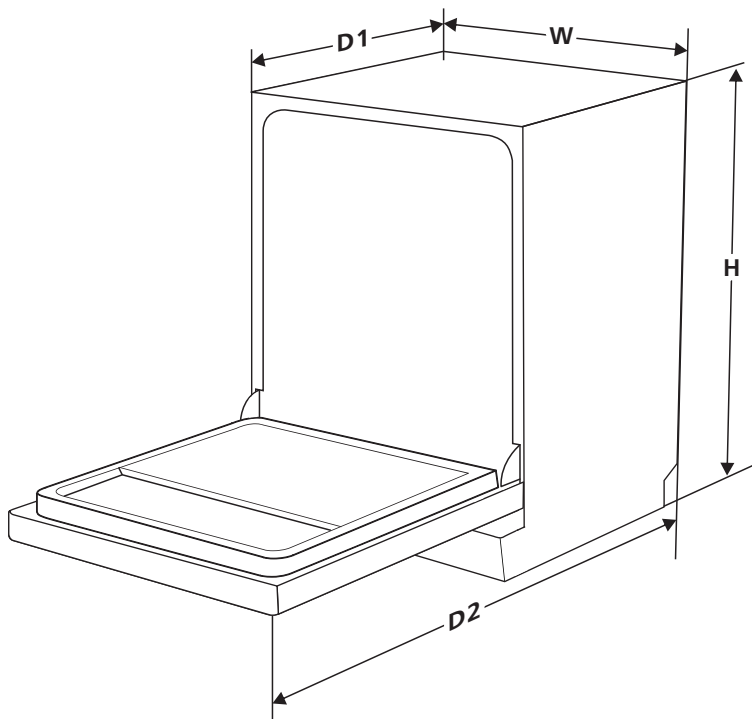
En caso de mal funcionamiento del lavavajillas, aparece un código de error para identificar el error:

Código	Significado	Causas posibles
E1	Retraso de alimentación de agua	El grifo está cerrado, la llave de paso de agua bloqueada o la presión del agua es demasiado débil.
E3	Temperatura requerida no alcanzada.	Mal funcionamiento del elemento radiante.
E4	Desbordamiento.	Un elemento del lavavajillas presenta una fuga.
Ed	Error de comunicación entre la tarjeta principal y la tarjeta gráfica.	Circuito abierto o cortocircuito de la comunicación.

## ADVERTENCIA

- En caso de desbordamiento de agua, cierre el paso de agua principal antes de llamar a un técnico.
- Si hay agua en la cuba del aparato debido a un desbordamiento o a una pequeña fuga, vacíe el agua antes de volver a arrancar el lavavajillas.

# CARACTERÍSTICAS TÉCNICAS



<b>Altura (H)</b>	815mm
<b>Anchura (W)</b>	598mm
<b>Profundidad (D1)</b>	550 mm (puerta cerrada)
<b>Profundidad (D2)</b>	1150 mm (puerta abierta a 90°)

# ACCESO A LA BASE DE DATOS

Para acceder a la información sobre el modelo de su electrodoméstico, almacenada en la base de datos de productos en virtud del Reglamento (UE) 2019/2017 y relacionada con el etiquetado energético, acceda al sitio web: <https://eprel.ec.europa.eu/>

Busque la referencia del aparato en el sitio web introduciendo la referencia de servicio indicada en la placa descriptiva del electrodoméstico.

También puede acceder a esta información escaneando el código QR de la etiqueta energética del aparato.

## INTERVENCIONES



Las eventuales intervenciones que pueda ser necesario realizar en su aparato deberá realizarlas un profesional cualificado con licencia de marca. Para facilitar el tratamiento de su solicitud, cuando llame no olvide dar las referencias completas del aparato (modelo, tipo y número de serie).

### Piezas originales:

Siempre que realice cualquier intervención, pida que se utilicen exclusivamente piezas de recambio certificadas originales.



### Más información:

[www.electro-brandt.es](http://www.electro-brandt.es)

**NIF:** B75108597  
BRANDT ESPAGNE HOME, S.L.U  
Plaza Carlos Trias Bertran, 4  
28020 Madrid  
**Tif.** 91 418 4533

### INFORMACIÓN:

El periodo mínimo de disponibilidad de las piezas de recambio incluidas en la lista del Reglamento Europeo 2019-2019-UE y accesibles para el usuario del aparato es de 10 años en las condiciones previstas por este mismo reglamento.

NIF : B75108597

BRANDT ESPAGNE HOME, S.L.U

Plaza Carlos Trias Bertran, 4

28020 Madrid

Tlf. 91 418 4533

[www.electro-brandt.es](http://www.electro-brandt.es)



Este símbolo presente en el producto o en la guía de instrucciones indica que su aparato eléctrico y electrónico no puede tratarse como un residuo doméstico. Existen sistemas de recogida previstos para el reciclaje de este tipo de aparatos en la Unión Europea.

Para más información, por favor contacte a las autoridades locales o al proveedor que le vendió el producto.